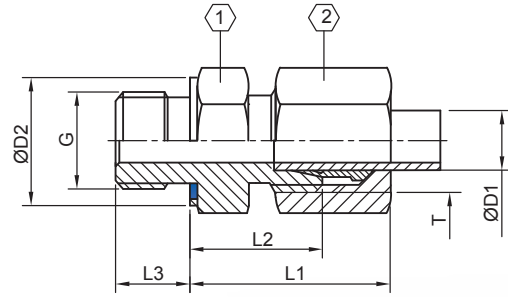


Ara Bağlantı Rakoru (Perflexli)

Straight Male Stud Connector with Seal



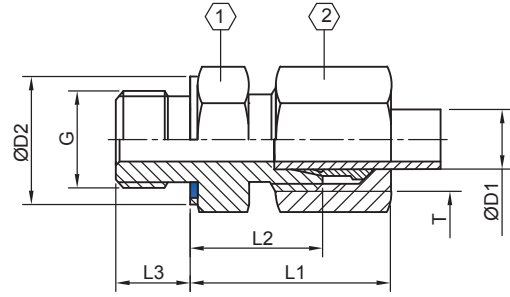
Kod No Part Number	Diş Ölçüsü Thread		Boyut Ölçüleri (mm) Dimensions in (mm)							
	G	T	Ø D1	L1	L2	L3	ØD2	①	②	PN Bar
TR249-L-2-6	G1/8"-28	M12x1.5	6L	23	15.5	8	14	14	14	315
TR249-L-2-8	G1/8"-28	M14x1.5	8L	23	16.5	8	14	14	17	315
TR249-L-4-6	G1/4"-19	M12x1.5	6L	25	17	12	18	19	14	315
TR249-L-4-8	G1/4"-19	M14x1.5	8L	25	17.5	12	18	19	17	315
TR249-L-4-10	G1/4"-19	M16x1.5	10L	26	18	12	18	19	19	315
TR249-L-4-12	G1/4"-19	M18x1.5	12L	26	19.5	12	18	19	22	315
TR249-L-6-8	G3/8"-19	M14x1.5	8L	26	19	12	22	22	17	315
TR249-L-6-10	G3/8"-19	M16x1.5	10L	27	19.5	12	22	22	19	315
TR249-L-6-12	G3/8"-19	M18x1.5	12L	27	19.5	12	22	22	22	315
TR249-L-6-15	G3/8"-19	M22x1.5	15L	29	22	12	22	24	27	315
TR249-L-8-8	G1/2"-14	M14x1.5	8L	28	19	14	27	27	17	315
TR249-L-8-10	G1/2"-14	M16x1.5	10L	28	21	14	27	27	19	315
TR249-L-8-12	G1/2"-14	M18x1.5	12L	28	20	14	27	27	22	315
TR249-L-8-15	G1/2"-14	M22x1.5	15L	29	22	14	27	27	27	300
TR249-L-8-18	G1/2"-14	M26x1.5	18L	31	22	14	22	27	32	300
TR249-L-8-22	G1/2"-14	M30x2	22L	33	24	14	27	32	36	300
TR249-L-12-18	G3/4"-14	M26x1.5	18L	30	22	16	32	32	32	300
TR249-L-12-22	G3/4"-14	M30x2	22L	33	24	16	32	32	36	300
TR249-L-16-28	G1"-11	M36x2	28L	34	25	18	40	41	41	300
TR249-L-16-35	G1"-11	M45x2	35L	39	28	18	40	46	50	300
TR249-L-20-35	G1"1/4-11	M45x2	35L	39	28	20	50	50	50	300
TR249-L-20-42	G1"1/4-11	M52x2	42L	42	30	20	50	55	60	300
TR249-L-24-42	G1"1/2-11	M52x2	42L	42	30	22	55	55	60	300

TR 249-S

BSP/Metrik 24° Tip S

Ara Bağlantı Rakoru (Perflexli)

Straight Male Stud Connector with Seal



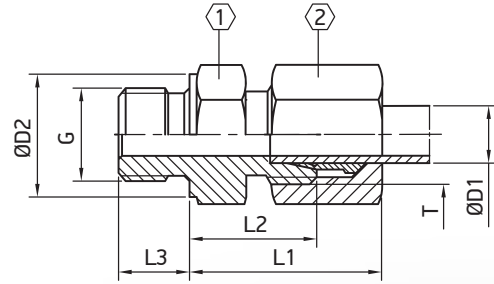
Kod No Part Number	Diş Ölçüsü Thread		Boyut Ölçüleri (mm) Dimensions in (mm)							
ID No	G	T	Ø D1	L1	L2	L3	ØD2	①	②	PN Bar
TR249-S-4-6	G1/4"-19	M14x1.5	6S	28	20	12	19	19	17	400
TR249-S-4-8	G1/4"-19	M16x1.5	8S	30	22	12	19	19	19	400
TR249-S-4-10	G1/4"-19	M18x1.5	10S	31	22	12	19	19	22	400
TR249-S-4-12	G1/4"-19	M20x1.5	12S	33	24	12	19	22	24	400
TR249-S-6-10	G3/8"-19	M18x1.5	10S	31	22.5	12	22	22	22	400
TR249-S-6-12	G3/8"-19	M20x1.5	12S	33	24.5	12	22	22	24	400
TR249-S-6-16	G3/8"-19	M24x1.5	16S	36	26	12	22	27	30	400
TR249-S-8-12	G1/2"-14	M20x1.5	12S	34	25	14	27	27	24	400
TR249-S-8-16	G1/2"-14	M24x1.5	16S	37	26	14	27	27	30	400
TR249-S-8-20	G1/2"-14	M30x2	20S	40	29	14	27	32	36	400
TR249-S-12-16	G3/4"-14	M24x1.5	16S	39	29	16	32	32	30	400
TR249-S-12-20	G3/4"-14	M30x2	20S	42	31	16	32	32	36	400
TR249-S-12-25	G3/4"-14	M36x2	25S	47	35	16	32	36	46	315
TR249-S-16-20	G1"-11	M30x2	20S	42	35	18	40	41	36	315
TR249-S-16-25	G1"-11	M36x2	25S	47	35	18	40	41	46	315
TR249-S-16-30	G1"-11	M42x2	30S	50	37	18	40	46	50	315
TR249-S-20-30	G1"1/4-11	M42x2	30S	50	37	20	50	50	50	315
TR249-S-20-38	G1"1/4-11	M52x2	38S	57	42	20	50	55	60	315
TR249-S-24-38	G1"1/2-11	M52x2	38S	57	42	22	55	55	60	315

TR 250-L

BSP/Metrik 24° Tip L

Ara Bağlantı Rakoru

Straight Male Stud Connector

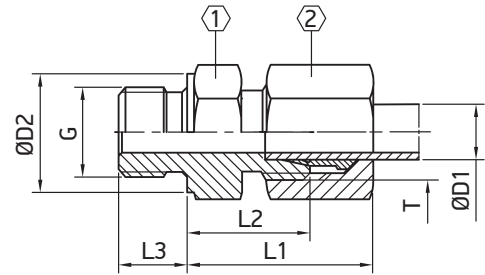


Kod No Part Number	Diş Ölçüsü Thread		Boyut Ölçüleri (mm) Dimensions in (mm)							
ID No	G	T	Ø D1	L1	L2	L3	ØD2	①	②	PN Bar
TR250-L-2-6	G1/8"-28	M12x1.5	6L	23	15.5	8	14	14	14	315
TR250-L-2-8	G1/8"-28	M14x1.5	8L	23	15.5	8	14	14	17	315
TR250-L-4-6	G1/4"-19	M12x1.5	6L	25	17	12	19	19	14	315
TR250-L-4-8	G1/4"-19	M14x1.5	8L	25	17.5	12	19	19	17	315
TR250-L-4-10	G1/4"-19	M16x1.5	10L	26	18	12	19	19	19	315
TR250-L-4-12	G1/4"-19	M18x1.5	12L	26	19	12	19	19	22	315
TR250-L-6-8	G3/8"-19	M14x1.5	8L	26	18.5	12	22	22	17	315
TR250-L-6-10	G3/8"-19	M16x1.5	10L	27	19.5	12	22	22	19	315
TR250-L-6-12	G3/8"-19	M18x1.5	12L	27	18.5	12	22	22	22	315
TR250-L-6-15	G3/8"-19	M22x1.5	15L	29	22	12	22	24	27	315
TR250-L-8-8	G1/2"-14	M14x1.5	8L	28	19	14	27	27	17	315
TR250-L-8-10	G1/2"-14	M16x1.5	10L	28	20	14	27	27	19	315
TR250-L-8-12	G1/2"-14	M18x1.5	12L	28	20	14	27	27	22	315
TR250-L-8-15	G1/2"-14	M22x1.5	15L	29	22	14	27	27	27	300
TR250-L-8-18	G1/2"-14	M26x1.5	18L	31	22	14	27	27	32	300
TR250-L-8-22	G1/2"-14	M30x2	22L	33	24	14	27	32	36	300
TR250-L-12-18	G3/4"-14	M26x1.5	18L	31	22	14	32	32	32	300
TR250-L-12-22	G3/4"-14	M30x2	22L	33	24	16	32	32	36	300
TR250-L-16-28	G1"-11	M36x2	28L	34	25	18	40	41	41	300
TR250-L-16-35	G1"-11	M45x2	35L	39	28	18	40	46	50	300
TR250-L-20-35	G1 1/4"-11	M45x2	35L	39	28	20	50	50	50	300
TR250-L-20-42	G1 1/4"-11	M52x2	42L	42	30	20	49	55	60	300
TR250-L-24-42	G1 1/2"-11	M52x2	42L	42	30	22	55	55	60	300

TR 250-S

BSP/Metrik 24° Tip S

Ara Bağlantı Rakoru Straight Male Stud Connector



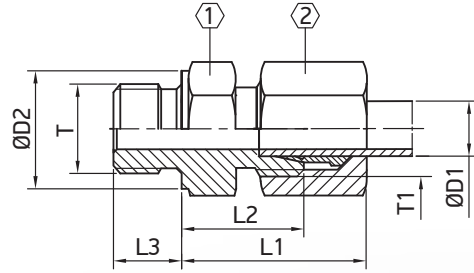
Kod No Part Number	Diş Ölçüsü Thread		Boyut Ölçüleri (mm) Dimensions in (mm)							
ID No	G	T	Ø D1	L1	L2	L3	ØD2	①	②	PN Bar
TR250-S-4-6	G1/4"-19	M14x1.5	6S	28	20	12	19	19	17	400
TR250-S-4-8	G1/4"-19	M16x1.5	8S	30	22	12	19	19	19	400
TR250-S-4-10	G1/4"-19	M18x1.5	10S	31	22	12	19	19	22	400
TR250-S-4-12	G1/4"-19	M20x1.5	12S	33	24	12	19	22	24	400
TR250-S-6-10	G3/8"-19	M18x1.5	10S	31	21.5	12	22	22	22	400
TR250-S-6-12	G3/8"-19	M20x1.5	12S	33	24.5	12	22	22	24	400
TR250-S-6-16	G3/8"-19	M24x1.5	16S	36	26.5	12	22	27	30	400
TR250-S-8-12	G1/2"-14	M20x1.5	12S	34	25	14	27	27	24	400
TR250-S-8-16	G1/2"-14	M24x1.5	16S	37	26	14	27	27	30	400
TR250-S-8-20	G1/2"-14	M30x2	20S	40	29	14	27	32	36	400
TR250-S-12-16	G3/4"-14	M24x1.5	16S	39	29	16	32	32	30	400
TR250-S-12-20	G3/4"-14	M30x2	20S	42	29	16	32	32	36	400
TR250-S-12-25	G3/4"-14	M36x2	25S	47	35	16	32	36	46	315
TR250-S-16-20	G1"-11	M30x2	20S	42	32	18	40	41	36	315
TR250-S-16-25	G1"-11	M36x2	25S	47	35	18	40	41	46	315
TR250-S-16-30	G1"-11	M42x2	30S	50	37	18	40	46	50	315
TR250-S-20-30	G1"1/4-11	M42x2	30S	50	37	20	50	50	50	315
TR250-S-20-38	G1"1/4-11	M52x2	38S	57	42	20	50	55	60	315
TR250-S-24-38	G1"1/2-11	M52x2	38S	57	42	22	55	55	60	315

TR 251-L

Metrik/Metrik 24° Tip L

Ara Bağlantı Rakoru

Straight Male Stud Connector

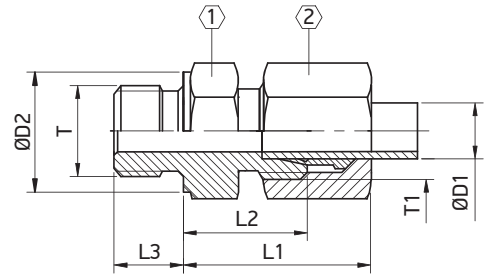


Kod No Part Number	Diş Ölçüsü Thread		Boyut Ölçüleri (mm) Dimensions in (mm)							
	T	T1	Ø D1	L1	L2	L3	ØD2	①	②	PN Bar
TR251-L-6-6	M12x1.5	M12x1.5	6L	25	17	12	17	17	14	315
TR251-L-6-8	M12x1.5	M14x1.5	8L	25	17	12	17	17	17	315
TR251-L-6-10	M12x1.5	M16x1.5	10L	26	18	12	17	17	19	315
TR251-L-6-12	M12x1.5	M18x1.5	12L	26	19	12	17	19	22	315
TR251-L-8-6	M14x1.5	M12x1.5	6L	25	18	12	19	19	14	315
TR251-L-8-8	M14x1.5	M14x1.5	8L	25	18	12	19	19	17	315
TR251-L-8-10	M14x1.5	M16x1.5	10L	26	18	12	19	19	19	315
TR251-L-8-12	M14x1.5	M18x1.5	12L	27.5	18	12	19	19	22	315
TR251-L-10-6	M16x1.5	M12x1.5	6L	25	18	12	21	22	14	315
TR251-L-10-8	M16x1.5	M14x1.5	8L	26	18	12	21	22	17	315
TR251-L-10-10	M16x1.5	M16x1.5	10L	27	19	12	21	22	19	315
TR251-L-10-12	M16x1.5	M18x1.5	12L	27	19	12	21	22	22	315
TR251-L-10-15	M16x1.5	M22x1.5	15L	29	20	12	21	24	27	315
TR251-L-12-6	M18x1.5	M12x1.5	6L	24.5	18.5	12	23	24	14	315
TR251-L-12-8	M18x1.5	M14x1.5	8L	26	19	12	23	24	17	315
TR251-L-12-10	M18x1.5	M16x1.5	10L	27	19	12	23	24	19	315
TR251-L-12-12	M18x1.5	M18x1.5	12L	27	19.5	12	23	24	22	315
TR251-L-12-15	M18x1.5	M22x1.5	15L	29	20.5	12	23	24	27	315
TR251-L-12-18	M18x1.5	M26x1.5	18L	30	21.5	12	23	27	32	315
TR251-L-15-8	M22x1.5	M14x1.5	8L	25	20	14	27	27	17	315
TR251-L-15-10	M22x1.5	M16x1.5	10L	29	21	14	27	27	19	315
TR251-L-15-12	M22x1.5	M18x1.5	12L	29	21	14	27	27	22	315
TR251-L-15-15	M22x1.5	M22x1.5	15L	30	22	14	27	27	27	315
TR251-L-15-18	M22x1.5	M26x1.5	18L	31	22	14	27	27	32	315
TR251-L-18-22	M26x1.5	M30x2	22L	33	24	16	31	32	36	315
TR251-L-20-28	M33x1.5	M3 6x2	28L	34	25	18	40	41	41	315
TR251-L-30-35	M42x1.5	M45x2	35L	39	28	20	50	50	50	315
TR251-L-36-42	M48x1.5	M52x2	42L	42	30	22	55	55	60	315

TR 251-S

Metrik/Metrik 24° Tip S

Ara Bağlantı Rakoru Straight Stud Male Connector



Kod No Part Number	Diş Ölçüsü Thread		Boyut Ölçüleri (mm) Dimensions in (mm)							
ID No	T	T1	Ø D1	L1	L2	L3	ØD2	①	②	PN Bar
TR251-S-6-6	M12x1.5	M14x1.5	6S	28	20	12	17	17	17	400
TR251-S-8-8	M14x1.5	M16x1.5	8S	30	20	12	19	19	19	400
TR251-S-10-10	M16x1.5	M18x1.5	10S	31	22.5	12	21	22	22	400
TR251-S-10-12	M16x1.5	M20x1.5	12S	33	24	12	21	22	24	400
TR251-S-12-12	M18x1.5	M20x1.5	12S	33	24.5	12	23	24	24	400
TR251-S-15-12	M22x1.5	M20x1.5	12S	33	25	14	27	27	24	400
TR251-S-12-16	M18x1.5	M24x1.5	16S	37	28.5	12	27	27	30	400
TR251-S-15-16	M22x1.5	M24x1.5	16S	37	26	14	27	27	30	400
TR251-S-16-20	M24x1.5	M30x2	20S	42	31	16	32	32	36	400
TR251-S-20-20	M30x2	M30x2	20S	42	31	16	32	36	36	400

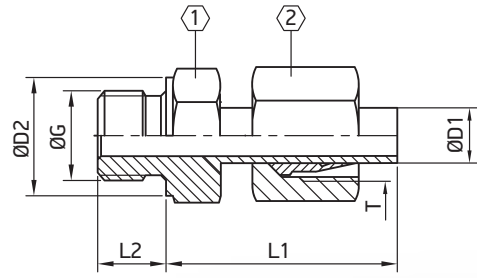
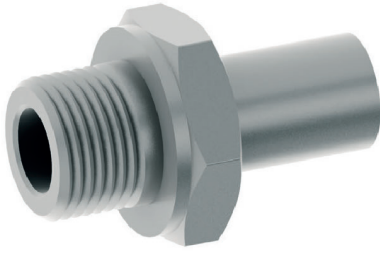
Metrik/Metrik 24° TIPS

TR 252-L

BSP/Metrik 24° Tip L

Ters Rakor

Reverse Adapter



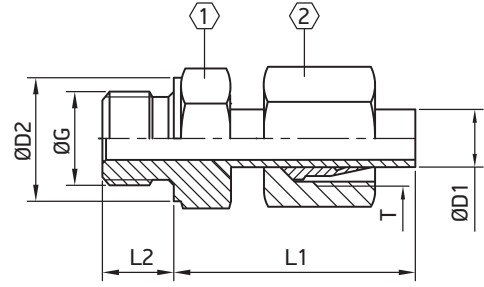
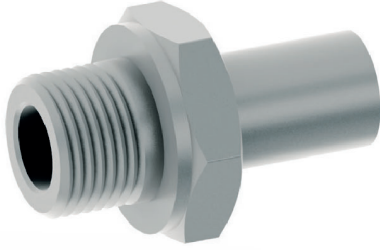
Kod No Part Number	Diş Ölçüsü Thread		Boyut Ölçüleri (mm) Dimensions in (mm)						
	G	T	Ø D1	L1	L2	ØD2	①	②	PN Bar
TR252-L-2-6	G1/8"-28	M12x1.5	6L	25.5	8	14	14	14	315
TR252-L-4-6	G1/4"-19	M12x1.5	6L	27	8	19	19	14	315
TR252-L-4-8	G1/4"-19	M14x1.5	8L	27	12	19	19	17	315
TR252-L-4-10	G1/4"-19	M16x1.5	10L	27.5	12	19	19	19	315
TR252-L-4-12	G1/4"-19	M18x1.5	12L	28.5	12	19	19	22	315
TR252-L-6-6	G3/8"-19	M12x1.5	6L	28	12	22	22	14	315
TR252-L-6-8	G3/8"-19	M14x1.5	8L	28	12	22	22	17	315
TR252-L-6-10	G3/8"-19	M16x1.5	10L	28	12	22	22	19	315
TR252-L-6-12	G3/8"-19	M18x1.5	12L	29	12	22	22	22	315
TR252-L-8-10	G1/2"-14	M16x1.5	10L	29	14	27	27	19	315
TR252-L-8-12	G1/2"-14	M18x1.5	12L	29.5	14	27	27	22	315
TR252-L-8-15	G1/2"-14	M22x1.5	15L	31	14	27	27	27	315
TR252-L-8-18	G1/2"-14	M26x1.5	18L	31.5	14	27	27	32	315
TR252-L-8-22	G1/2"-14	M30x2	22L	31	14	27	27	36	315
TR252-L-12-18	G3/4"-14	M26x1.5	18L	32.5	16	32	32	32	315
TR252-L-12-22	G3/4"-14	M30x2	22L	33	16	32	32	36	315
TR252-L-16-28	G1"-11	M36x2	28L	35	18	40	41	41	315
TR252-L-20-35	G1"1/4-11	M45x2	35L	41.5	20	49	50	50	315
TR252-L-24-42	G1"1/2-11	M52x2	42L	45	22	55	55	60	315

TR 252-S

BSP/Metrik 24° Tip S

Ters Rakor

Reverse Adapter



Kod No Part Number	Diş Ölçüsü Thread		Boyut Ölçüleri (mm) Dimensions in (mm)						
	G	T	Ø D1	L1	L2	ØD2	①	②	PN Bar
TR252-S-4-6	G1/4"-19	M14x1.5	6S	27	12	19	19	17	630
TR252-S-4-8	G1/4"-19	M16x1.5	8S	29	12	19	19	19	630
TR252-S-6-10	G3/8"-19	M18x1.5	10S	31	12	22	22	22	630
TR252-S-6-12	G3/8"-19	M20x1.5	12S	32	12	22	22	24	630
TR252-S-8-14	G1/2"-14	M22x1.5	14S	34.5	14	27	27	27	630
TR252-S-8-16	G1/2"-14	M24x1.5	16S	35	14	27	27	30	400
TR252-S-8-20	G1/2"-14	M30x2	20S	39	14	27	27	36	400
TR252-S-12-20	G3/4"-14	M30x2	20S	41	16	32	32	36	400
TR252-S-16-20	G1"-11	M30x2	20S	42	18	40	41	36	400
TR252-S-16-25	G1"-11	M36x2	25S	44	18	40	41	46	400
TR252-S-20-30	G1 1/4"-11	M42x2	30S	49	20	50	50	50	400
TR252-S-24-38	G1 1/2"-11	M52x2	38S	55	22	55	55	60	315

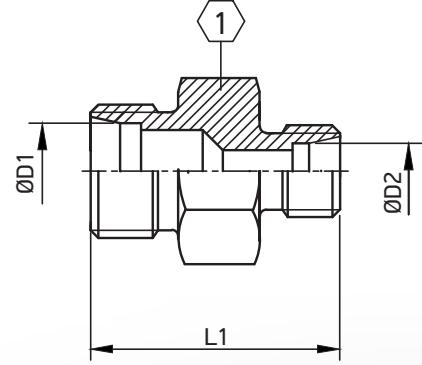
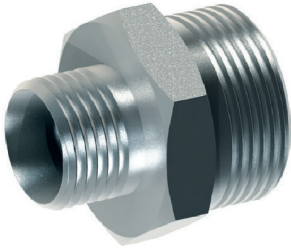
BSP/Metrik 24° TIPS

TR 253-L/S

Metrik 24° Tip L/S

Orantılı Nipel

Straight Connector - Metric



	Kod No Part Number	Diş Ölçüsü Thread		Boyut Ölçüleri (mm) Dimensions in (mm)				
	ID No	T1	T2	Ø D1	ØD2	L1	①	PN Bar
L	TR253-L-8-6	M14x1.5	M12x1.5	8L	6L	25	14	315
	TR253-L-10-8	M16x1.5	M14x1.5	10L	8L	26	17	315
	TR253-L-12-10	M18x1.5	M16x1.5	12L	10L	28	19	315
	TR253-L-15-10	M22x1.5	M16x1.5	15L	10L	28	24	315
	TR253-L-15-12	M22x1.5	M18x1.5	15L	12L	29	24	315
	TR253-L-18-10	M26x1.5	M16x1.5	18L	10L	30	27	315
	TR253-L-18.12	M26x1.5	M18x1.5	18L	12L	30	27	315
	TR253-L-22-18	M30x2	M26x1.5	22L	18L	33	32	300
	TR253-L-28-18	M36x2	M26x1.5	28L	18L	33	41	300
	TR253-L-35-22	M45x2	M30x2	35L	22L	40	46	300
S	TR253-S-12-10	M20x1.5	M18x1.5	12S	10S	34	22	630
	TR253-S-16-10	M24x1.5	M18x1.5	16S	10S	36	27	400
	TR253-S-20-10	M30x2	M18x1.5	20S	10S	40	32	400
	TR253-S-25-20	M36x2	M30x2	25S	20S	48	36	400
	TR253-S-30-16	M42x2	M24x1.5	30S	16S	48	46	400
	TR253-S-30-20	M42x2	M30x2	30S	20S	50	46	400
	TR253-S-30-25	M42x2	M36x2	30S	25S	53	46	315

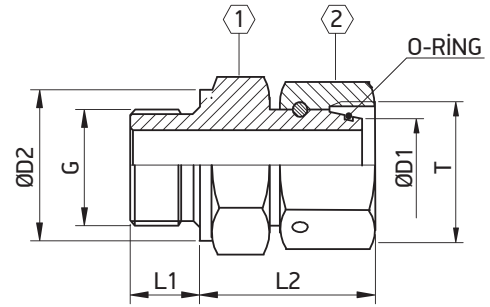
Metrik 24° Tip L/S

TR 254-L

BSP/Metrik 24° Tip L

Pimli Ters Rakor

Reverse Connector- Thrust Wire



Kod No Part Number	Diş Ölçüsü Thread		Boyut Ölçüleri (mm) Dimensions in (mm)						
ID No	G	T	Ø D1	L1	L2	ØD2	①	②	PN Bar
TR254-L-2-6	G1/8"-28	M12x1.5	6L	8	24.5	14	14	14	315
TR254-L-4-6	G1/4"-19	M12x1.5	6L	12	24.5	19	19	14	315
TR254-L-4-8	G1/4"-19	M14x1.5	8L	12	27.5	19	19	17	315
TR254-L-4-10	G1/4"-19	M16x1.5	10L	12	27.5	19	19	19	315
TR254-L-4-12	G1/4"-19	M18x1.5	12L	12	27.5	19	19	22	315
TR254-L-6-6	G3/8"-19	M12x1.5	6L	12	24.5	22	22	14	315
TR254-L-6-8	G3/8"-19	M14x1.5	8L	12	24.5	22	22	17	315
TR254-L-6-10	G3/8"-19	M16x1.5	10L	12	27.5	22	22	19	315
TR254-L-6-12	G3/8"-19	M18x1.5	12L	12	34	22	22	22	315
TR254-L-8-10	G1/2"-14	M16x1.5	10L	14	29.5	27	27	19	315
TR254-L-8-12	G1/2"-14	M18x1.5	12L	14	29.5	27	27	22	315
TR254-L-8-15	G1/2"-14	M22x1.5	15L	14	32	27	27	27	315
TR254-L-8-18	G1/2"-14	M26x1.5	18L	14	31.5	27	27	32	315
TR254-L-8-22	G1/2"-14	M30x2	22L	14	31.5	27	27	36	315
TR254-L-12-18	G3/4"-14	M26x1.5	18L	16	29.5	32	32	32	300
TR254-L-12-22	G3/4"-14	M30x2	22L	16	32.5	32	32	36	300
TR254-L-16-28	G1"-11	M36x2	28L	18	35	41	41	41	300
TR254-L-20-35	G1"1/4-11	M45x2	35L	20	42.5	50	50	50	300
TR254-L-24-42	G1"1/2-11	M52x2	42L	22	46.5	55	55	60	300

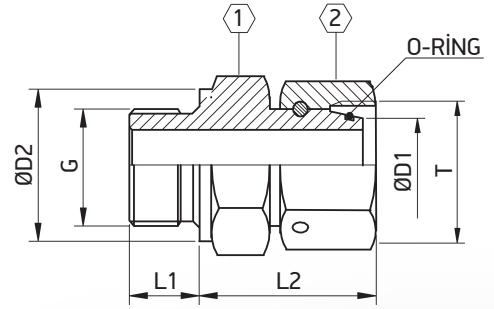
BSP/Metrik 24° Tip L

TR 254-S

BSP/Metrik 24° Tip S

Pimli Ters Rakor

Reverse Connector- Thrust Wire



Kod No Part Number	Diş Ölçüsü Thread		Boyut Ölçüleri (mm) Dimensions in (mm)						
	G	T	Ø D1	L1	L2	ØD2	①	②	PN Bar
TR254-S-4-6	G1/4"-19	M14x1.5	6S	12	27	19	19	17	630
TR254-S-4-8	G1/4"-19	M16x1.5	8S	12	29.5	19	19	19	630
TR254-S-6-10	G3/8"-19	M18x1.5	10S	12	32	22	22	22	630
TR254-S-6-12	G3/8"-19	M20x1.5	12S	12	34	22	22	24	630
TR254-S-8-14	G1/2"-14	M22x1.5	14S	14	36.5	27	27	27	630
TR254-S-8-16	G1/2"-14	M24x1.5	16S	14	37	27	27	30	400
TR254-S-8-20	G1/2"-14	M30x2	20S	14	41	27	27	36	400
TR254-S-12-20	G3/4"14	M30x2	20S	16	43	32	32	36	400
TR254-S-16-20	G1"-11	M30x2	20S	18	45	41	41	36	400
TR254-S-16-25	G1"-11	M36x2	25S	18	48	41	41	46	400
TR254-S-20-30	G1"1/4-11	M42x2	30S	20	50	50	50	50	400
TR254-S-24-38	G1"1/2-11	M52x2	38S	22	60	55	55	60	315

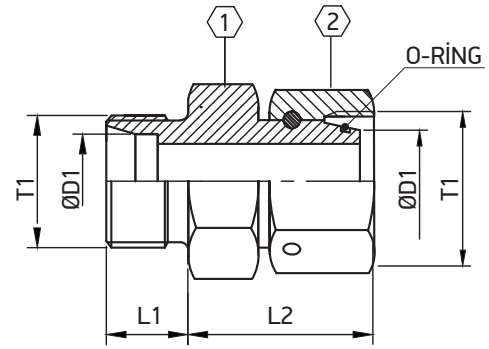
BSP/Metrik 24° Tip S

TR 255 L/S

Metrik 24° Tip L/S

Pimli Ters Rakor (Boru Girişli)

Reverse Fittings with Pipe Connection



Kod No Part Number	Diş Ölçüsü Thread	Boyut Ölçüleri (mm) Dimensions in (mm)					
		ID No	T	Ø D1	L1	L2	①
TR255-L-6-6	M12x1.5	6L	10	25	12	14	315
TR255-L-8-8	M14x1.5	8L	10	27	14	17	315
TR255-L-10-10	M16x1.5	10L	11	27	17	19	315
TR255-L-12-12	M18x1.5	12L	11	29	19	22	315
TR255-L-15-15	M22x1.5	15L	12	32	24	27	315
TR255-L-18-18	M26x1.5	18L	12	32	27	32	160
TR255-L-22-22	M30x2	22L	14	33	32	36	160
TR255-L-28-28	M36x2	28L	14	35	41	41	160
TR255-L-35-35	M45x2	35L	16	43	46	50	160
TR255-L-42-42	M52x2	42L	16	47	55	60	160

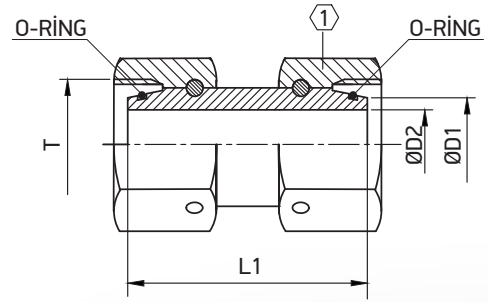
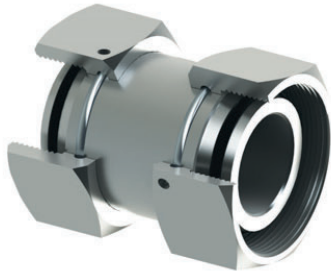
TR255-S-6-6	M14x1.5	6S	12	25	14	17	630
TR255-S-8-8	M16x1.5	8S	12	27	17	19	630
TR255-S-10-10	M18x1.5	10S	12	27	19	22	630
TR255-S-12-12	M20x1.5	12S	12	32	22	24	630
TR255-S-16-16	M24x1.5	16S	14	34	27	30	400
TR255-S-20-20	M30x2	20S	16	40	32	36	400
TR255-S-25-25	M36x2	25S	18	44	41	46	400
TR255-S-30-30	M42x2	30S	20	49	46	50	400
TR255-S-38-38	M52x2	38S	22	54	55	60	400

TR 256 L/S

Metrik 24° Tip L/S

Pimli Ara Nipel

Straight Connector - Thrust Wire



ID No	Kod No Part Number	Diş Ölçüsü Thread	Boyut Ölçüleri (mm) Dimensions in (mm)				
	T	Ø D1	L1	ØD2	①	PN Bar	
TR256-L-6-6		M12x1.5	6L	32	3	14	315
TR256-L-8-8		M14x1.5	8L	32	4	17	315
TR256-L-10-10		M16x1.5	10L	33	6	19	315
L TR256-L-12-12		M18x1.5	12L	33	8	22	315
TR256-L-15-15		M22x1.5	15L	38	10	27	315
TR256-L-18-18		M26x1.5	18L	36	12	32	315
TR256-L-22-22		M30x2	22L	42	16	36	160
TR256-L-28-28		M36x2	28L	46	22	41	160
TR256-L-35-35		M45x2	35L	48	28	50	160
TR256-L-42-42		M52x2	42L	52	34	60	160

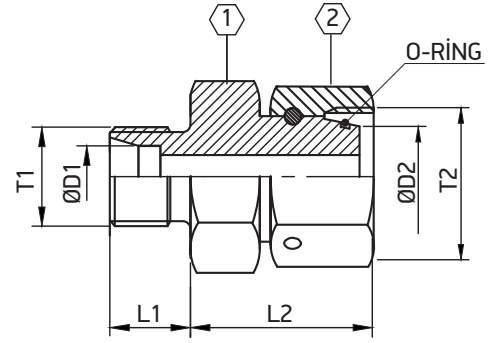
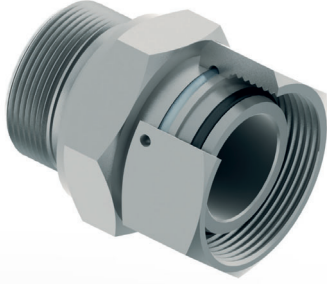
TR256-S-6-6		M14x1.5	6S	32	3	17	630
TR256-S-8-8		M16x1.5	8S	33	4	19	630
TR256-S-10-10		M18x1.5	10S	33	6	22	630
TR256-S-12-12		M20x1.5	12S	36	8	24	630
S TR256-S-16-16		M24x1.5	16S	39	10	30	400
TR256-L-20-20		M30x2	20S	44	14	36	400
TR256-L-25-25		M36x2	25S	46	18	46	400
TR256-L-30-30		M42x2	30S	52	23	50	400
TR256-L-38-38		M52x2	38S	58	30	60	400

TR 257 L/S

Metrik 24° Tip L/S

Düşürücü Ters Rakor (Pimli)

Reducing Reverse Connector



Kod No Part Number	Diş Ölçüsü Thread		Boyut Ölçüleri (mm) Dimensions in (mm)						
	ID No	T1	T2	Ø D1	Ø D2	L1	L2	①	②
TR257-L-6-6	M12x1.5	M14x1.5	6L	8L	10	22	12	17	315
TR257-L-8-10	M14x1.5	M16x1.5	8L	10L	10	22	14	19	315
TR257-L-8-12	M14x1.5	M18x1.5	8L	12L	10	23	17	22	315
TR257-L-10-12	M16x1.5	M18x1.5	10L	12L	11	25	17	22	315
TR257-L-12-15	M18x1.5	M22x1.5	12L	15L	11	28	22	27	315
TR257-L-12-18	M18x1.5	M26x1.5	12L	18L	11	29	24	32	315
TR257-L-15-22	M22x1.5	M30x2	15L	22L	12	31	27	36	315
TR257-L-18-28	M26x1.5	M36x2	18L	28L	12	35	36	41	315
TR257-L-12-28	M18x1.5	M36x2	12L	28L	11	35	36	41	315
TR257-L-18-35	M26x1.5	M45x2	18L	35L	12	39	41	50	160
TR257-L-22-35	M30x2	M45x2	22L	35L	14	39	41	50	160
TR257-S-12-16	M20x1.5	M24x1.5	12S	16S	12	34	24	30	630
TR257-S-12-20	M20x1.5	M30x2	12S	20S	12	38	27	36	630
TR257-S-16-20	M24x1.5	M30x2	16S	20S	14	38	27	36	630
TR257-S-12-25	M20x1.5	M36x2	12S	25S	12	38	36	46	630
TR257-S-16-25	M24x1.5	M36x2	16S	25S	14	38	36	46	400
TR257-S-20-25	M30x2	M36x2	20S	25S	16	40	36	46	400
TR257-S-16-30	M24x1.5	M42x2	16S	30S	14	42	41	50	400
TR257-S-20-30	M30x2	M42x2	20S	30S	16	44	41	50	400
TR257-S-25-30	M36x2	M42x2	25S	30S	18	44	41	50	350
TR257-S-20-38	M30x2	M52x2	20S	38S	16	50	50	60	350

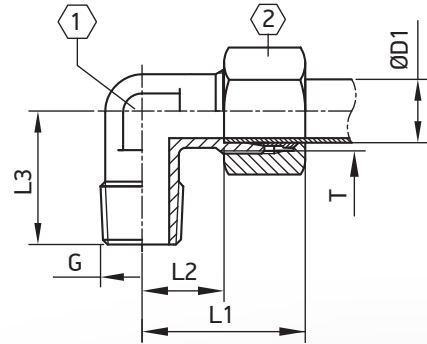
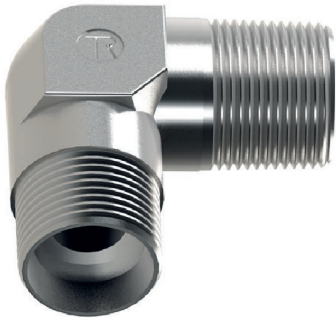
Metrik 24° Tip L/S

TR 260-L

NPT/Metrik 24° Tip L

Dişli Dirsek

Elbow - NPT/Metric



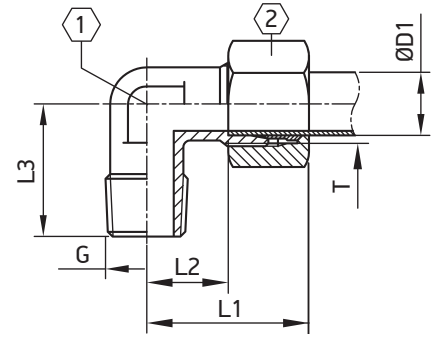
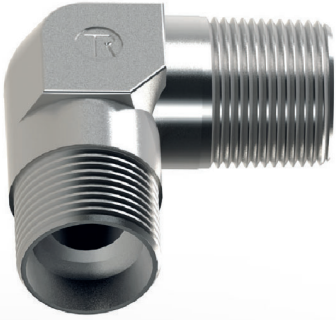
Kod No Part Number	Diş Ölçüsü Thread		Boyut Ölçüleri (mm) Dimensions in (mm)						
ID No	G	T	Ø D1	L1	L2	L3	①	②	PN Bar
TR260-L-2-6	G1/8"-28	M12x1.5	6L	31	12	20	12	14	315
TR260-L-2-8	G1/8"-28	M14x1.5	8L	29	12	26	12	17	315
TR260-L-4-6	G1/4"-19	M12x1.5	6L	31	14	26	14	14	315
TR260-L-4-8	G1/4"-19	M14x1.5	8L	29	14	26	12	17	315
TR260-L-4-10	G1/4"-19	M16x1.5	10L	30	15	27	14	19	315
TR260-L-4-12	G1/4"-19	M18x1.5	12L	30	16	28	17	22	315
TR260-L-6-8	G3/8"-19	M14x1.5	8L	32	16	28	17	17	315
TR260-L-6-10	G3/8"-19	M16x1.5	10L	32	17	28	19	19	315
TR260-L-6-15	G3/8"-19	M22x1.5	15L	35	23	35	19	27	315
TR260-L-6-12	G3/8"-19	M18x1.5	12L	32	17	28	17	22	315
TR260-L-8-10	G1/2"-14	M16x1.5	10L	36	18	34	24	19	315
TR260-L-8-12	G1/2"-14	M18x1.5	12L	36	21	34	24	22	315
TR260-L-8-15	G1/2"-14	M22x1.5	15L	36	21	34	24	24	315
TR260-L-8-18	G1/2"-14	M26x1.5	18L	36	23	34	24	32	315
TR260-L-12-18	G3/4"-14	M26x1.5	18L	44	23	42	27	32	315
TR260-L-12-22	G3/4"-14	M30x2	22L	44	27.5	42	27	36	300
TR260-L-16-28	G1"-11	M36x2	28L	47	32.5	48	36	41	300
TR260-L-20-35	G1 1/4"-11	M45x2	35L	56	34.5	54	41	50	300
TR260-L-24-42	G1 1/2"-11	M52x2	42L	62	40	61	50	60	300

TR 260-S

NPT/Metrik 24° Tip S

Dişli Dirsek

Elbow - NPT/Metric



Kod No Part Number	Diş Ölçüsü Thread		Boyut Ölçüleri (mm) Dimensions in (mm)						
	G	T	Ø D1	L1	L2	L3	①	②	PN Bar
TR260-S-4-6	G1/4"-19	M14x1.5	6S	31	16	276	14	17	630
TR260-S-4-8	G1/4"-19	M16x1.5	8S	32	17	27	17	19	630
TR260-S-6-10	G3/8"-19	M18x1.5	10S	34	17.5	28	19	22	630
TR260-S-6-12	G3/8"-19	M20x1.5	12S	38	21.5	28	19	24	630
TR260-S-8-10	G1/2"-14	M18x1.5	10S	43	17.5	34	19	22	630
TR260-S-8-12	G1/2"-14	M20x1.5	12S	43	22.5	34	24	24	630
TR260-S-8-16	G1/2"-14	M24x1.5	16S	43	24.5	34	24	30	630
TR260-S-8-20	G1/2"-14	M30x2	20S	54	27	42	27	36	400
TR260-S-12-16	G3/4"-14	M24x1.5	16S	54	24.5	42	27	30	400
TR260-S-12-20	G3/4"-14	M30x2	20S	54	27	42	27	36	400
TR260-S-16-20	G1"-11	M30x2	20S	54	27	48	36	36	400
TR260-S-16-25	G1"-11	M36x2	25S	54	30	48	36	46	315
TR260-S-20-25	G1 1/4"-11	M36x2	25S	62	30	54	46	46	315
TR260-S-20-30	G1 1/4"-11	M42x2	30S	62	35.5	54	46	50	315
TR260-S-24-38	G1 1/2"-11	M52x2	30S	72	41	61	50	60	315
TR260-S-24-38	G1 1/2"-11	M52x2	38S	72	41	61	50	60	315

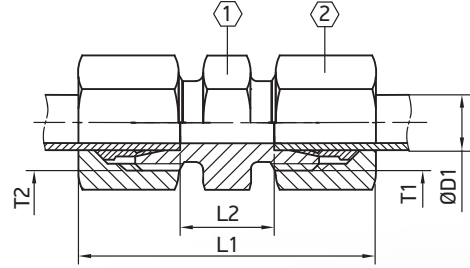
NPT/Metrik 24° Tip S

TR 270-L/S

Metrik 24° Tip L/S

Ara Nipeli

Straight Connector Metric



	Kod No Part Number	Diş Ölçüsü Thread		Boyut Ölçüleri (mm) Dimensions in (mm)					
	ID No	T1	T2	Ø D1	L1	L2	①	②	PN Bar
L	TR270-L-6-6	M12x1.5	M12x1.5	6L	39	10	12	14	315
	TR270-L-8-8	M14x1.5	M14x1.5	8L	40	11	14	17	315
	TR270-L-10-10	M16x1.5	M16x1.5	10L	42	13	17	19	315
	TR270-L-12-12	M18x1.5	M18x1.5	12L	43	14	19	22	315
	TR270-L-15-15	M22x1.5	M22x1.5	15L	46	16	24	27	315
	TR270-L-18-18	M26x1.5	M26x1.5	18L	48	16	27	32	315
	TR270-L-22-22	M30x2	M30x2	22L	52	20	32	36	315
	TR270-L-28-28	M36x2	M36x2	28L	54	21	36	41	315
	TR270-L-35-35	M45x2	M45x2	35L	63	20	46	50	315
	TR270-L-42-42	M52x2	M52x2	42L	66	21	55	60	315
S	TR270-S-6-6	M14x1.5	M14x1.5	6S	45	16	14	17	630
	TR270-S-8-8	M16x1.5	M16x1.5	8S	47	18	17	19	630
	TR270-S-10-10	M18x1.5	M18x1.5	10S	49	17	19	22	630
	TR270-S-12-12	M20x1.5	M20x1.5	12S	51	19	22	24	630
	TR270-S-16-16	M24x1.5	M24x1.5	16S	57	21	27	30	400
	TR270-S-20-20	M30x2	M30x2	20S	66	23	32	36	400
	TR270-S-25-25	M36x2	M36x2	25S	74	26	36	46	400
	TR270-S-30-30	M42x2	M42x2	30S	80	27	46	50	400
	TR270-S-38-38	M52x2	M52x2	38S	90	29	55	60	315

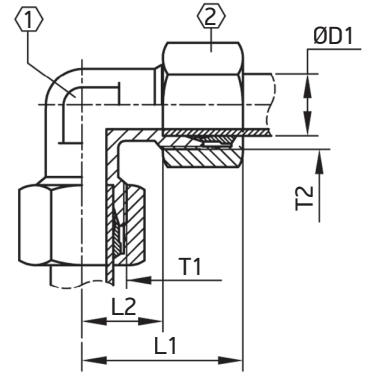
Metrik 24° Tip L/S

TR 280-L/S

Metrik 24° Tip L/S

Dirsek

Elbow - Metric



	Kod No Part Number	Diş Ölçüsü Thread		Boyut Ölçüleri (mm) Dimensions in (mm)					
	ID No	T1	T2	Ø D1	L1	L2	①	②	PN Bar
L	TR280-L-6-6	M12x1.5	M12x1.5	6L	27	12	12	14	315
	TR280-L-8-8	M14x1.5	M14x1.5	8L	29	14	14	17	315
	TR280-L-10-10	M16x1.5	M16x1.5	10L	30	15	14	19	315
	TR280-L-12-12	M18x1.5	M18x1.5	12L	32	17	17	22	315
	TR280-L-15-15	M22x1.5	M22x1.5	15L	36	21	24	27	315
	TR280-L-18-18	M26x1.5	M26x1.5	18L	40	24	24	32	315
	TR280-L-22-22	M30x2	M30x2	22L	44	27.5	27	36	315
	TR280-L-28-28	M36x2	M36x2	28L	47	30.5	36	41	315
	TR280-L-35-35	M45x2	M45x2	35L	56	34.5	41	50	315
	TR280-L-42-42	M52x2	M52x2	42L	63	40	50	60	315
S	TR280-S-6-6	M14x1.5	M14x1.5	6S	23	16	12	17	630
	TR280-S-8-8	M16x1.5	M16x1.5	8S	24	17	17	19	630
	TR280-S-10-10	M18x1.5	M18x1.5	10S	34	17.5	19	22	630
	TR280-S-12-12	M20x1.5	M20x1.5	12S	38	21.5	19	24	630
	TR280-S-16-16	M24x1.5	M24x1.5	16S	43	24.5	24	30	630
	TR280-S-20-20	M30x2	M30x2	20S	48	26.5	27	36	420
	TR280-S-25-25	M36x2	M36x2	25S	54	30	36	46	420
	TR280-S-30-30	M42x2	M42x2	30S	62	35.5	41	50	420
	TR280-S-38-38	M52x2	M52x2	38S	72	41	50	60	315

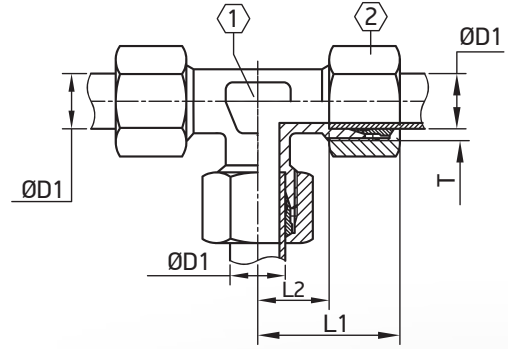
Metrik 24° Tip L/S

TR 290-L/S

Metrik 24° Tip L/S

T Rakor

Tee - Metric



	Kod No Part Number	Diş Ölçüsü Thread	Boyut Ölçüleri (mm) Dimensions in (mm)					
	ID No	T	Ø D1	L1	L2	①	②	PN Bar
L	TR290-L-6	M12x1.5	6L	27	12	12	14	315
	TR290-L-8	M14x1.5	8L	29	14	14	17	315
	TR290-L-10	M16x1.5	10L	30	15	14	19	315
	TR290-L-12	M18x1.5	12L	32	17	17	22	315
	TR290-L-15	M22x1.5	15L	36	21	24	27	315
	TR290-L-18	M26x1.5	18L	40	23.5	24	32	315
	TR290-L-22	M30x2	22L	44	27.5	27	36	315
	TR290-L-28	M36x2	28L	47	30.5	36	41	315
	TR290-L-35	M45x2	35L	56	34.5	41	50	315
	TR290-L-42	M52x2	42L	63	40	50	60	315
S	TR290-S-6	M14x1.5	6S	31	16	12	17	630
	TR290-S-8	M16x1.5	8S	32	17	17	19	630
	TR290-S-10	M18x1.5	10S	34	17.5	19	22	630
	TR290-S-12	M20x1.5	12S	38	21.5	19	24	630
	TR290-S-16	M24x1.5	16S	43	24.5	24	30	630
	TR290-S-20	M30x2	20S	48	26.5	27	36	400
	TR290-S-25	M36x2	25S	54	30	36	46	400
	TR290-S-30	M42x2	30S	62	35.5	41	50	400
	TR290-S-38	M52x2	38S	72	41	50	60	315

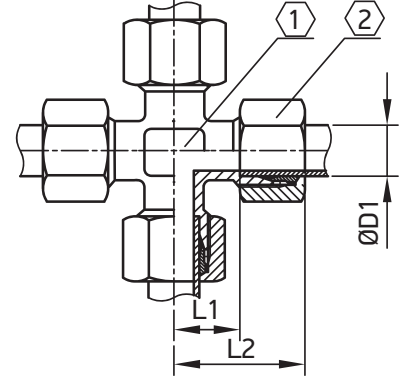
Metrik 24° Tip L/S

TR 300-L/S

Metrik 24° Tip L/S

Kuruva

Cross - Metric



Kod No Part Number	Diş Ölçüsü Thread	Boyut Ölçüleri (mm) Dimensions in (mm)						
		ID No	T	Ø D1	L1	L2	①	②
TR300-L-6	M12x1.5	6L	27	12	12	12	12	315
TR300-L-8	M14x1.5	8L	29	14	14	14	12	315
TR300-L-10	M16x1.5	10L	30	15	14	14	14	315
TR300-L-12	M18x1.5	12L	32	17	17	17	17	315
TR300-L-15	M22x1.5	15L	36	21	17	27	27	315
TR300-L-18	M26x1.5	18L	40	23.5	24	32	32	315
TR300-L-22	M30x2	22L	44	27.5	27	36	36	315
TR300-L-28	M36x2	28L	47	30.5	36	41	41	315
TR300-L-35	M45x2	35L	56	34.5	41	50	50	315
TR300-L-42	M52x2	42L	63	40	50	60	60	315
TR300-S-6	M14x1.5	6S	31	16	12	12	12	630
TR300-S-8	M16x1.5	8S	32	17	14	19	19	630
TR300-S-10	M18x1.5	10S	34	17.5	17	22	22	630
TR300-S-12	M20x1.5	12S	38	21.5	17	24	24	630
TR300-S-16	M24x1.5	16S	43	24.5	24	30	30	400
TR300-S-20	M30x2	20S	48	26.5	27	36	36	315
TR300-S-25	M36x2	25S	54	30	36	46	46	315
TR300-S-30	M42x2	30S	62	35.5	41	50	50	315
TR300-S-38	M52x2	38S	72	41	50	60	60	315

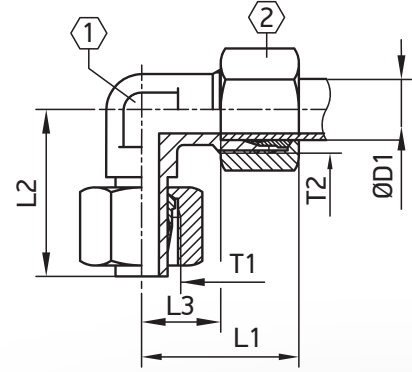
Metrik 24° Tip L/S

TR 310-L/S

Metrik 24° Tip L/S

Ters Dirsek

Standpipe Elbow - Metric



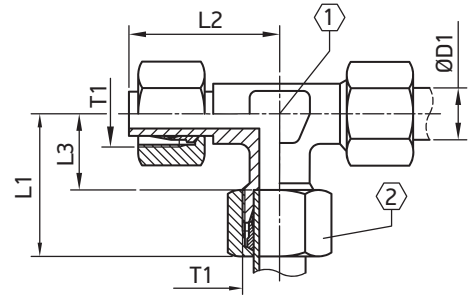
	Kod No Part Number	Dış Ölçüsü Thread		Boyut Ölçüleri (mm) Dimensions in (mm)						
	ID No	T1	T2	Ø D1	L1	L2	L3	①	②	PN Bar
L	TR310-L-6-6	M12x1.5	M12x1.5	6L	27	26	12	12	14	315
	TR310-L-8-8	M14x1.5	M14x1.5	8L	29	27.5	14	12	17	315
	TR310-L-10-10	M16x1.5	M16x1.5	10L	30	29	15	14	19	315
	TR310-L-12-12	M18x1.5	M18x1.5	12L	32	29.5	17	17	22	315
	TR310-L-15-15	M22x1.5	M22x1.5	15L	36	32.5	21	19	27	315
	TR310-L-18-18	M26x1.5	M26x1.5	18L	40	35.5	23.5	24	32	315
	TR310-L-22-22	M30x2	M30x2	22L	44	38.5	27.5	27	36	315
	TR310-L-28-28	M36x2	M36x2	28L	47	41.5	30.5	36	41	315
	TR310-L-35-35	M45x2	M45x2	35L	56	51	34.5	41	50	315
	TR310-L-42-42	M52x2	M52x2	42L	63	56	40	50	60	315
S	TR310-S-6-6	M14x1.5	M14x1.5	6S	31	27	16	12	17	400
	TR310-S-8-8	M16x1.5	M16x1.5	8S	32	27.5	17	14	19	400
	TR310-S-10-10	M18x1.5	M18x1.5	10S	34	30	17.5	17	22	400
	TR310-S-12-12	M20x1.5	M20x1.5	12S	38	31	21.5	17	24	400
	TR310-S-16-16	M24x1.5	M24x1.5	16S	43	36.5	24.5	24	30	400
	TR310-S-20-20	M30x2	M30x2	20S	48	44.5	26.5	27	36	400
	TR310-S-25-25	M36x2	M36x2	25S	54	50	30	36	46	315
	TR310-S-30-30	M42x2	M42x2	30S	62	55	35.5	41	50	315
	TR310-S-38-38	M52x2	M52x2	38S	72	63	41	50	60	315

TR 320-L/S

Metrik 24° Tip L/S

Yan Bacak-T

Barrel Tee - Metric



	Kod No Part Number	Diş Ölçüsü Thread	Boyut Ölçüleri (mm) Dimensions in (mm)						
	ID No	T1	Ø D1	L1	L2	L3	①	②	PN Bar
L	TR320-L-6	M12x1.5	6L	27	26	12	12	14	315
	TR320-L-8	M14x1.5	8L	29	27.5	14	12	17	315
	TR320-L-10	M16x1.5	10L	30	29	15	14	19	315
	TR320-L-12	M18x1.5	12L	32	29.5	17	17	22	315
	TR320-L-15	M22x1.5	15L	36	32.5	21	19	27	315
	TR320-L-18	M26x1.5	18L	40	35.5	23.5	24	32	315
	TR320-L-22	M30x2	22L	44	38.5	27.5	27	36	315
	TR320-L-28	M36x2	28L	47	41.5	30.5	36	41	315
	TR320-L-35	M45x2	35L	56	51	34.5	41	50	315
	TR320-L-42	M52x2	42L	63	56	40	50	60	315
S	TR320-S-6	M14x1.5	6S	31	27	16	12	17	400
	TR320-S-8	M16x1.5	8S	32	27.5	17	14	19	400
	TR320-S-10	M18x1.5	10S	34	30	17.5	17	22	400
	TR320-S-12	M20x1.5	12S	38	31	21.5	17	24	400
	TR320-S-16	M24x1.5	16S	43	36.5	24.5	24	30	400
	TR320-S-20	M30x2	20S	48	44.5	26.5	27	36	400
	TR320-S-25	M36x2	25S	54	50	30	36	46	400
	TR320-S-30	M42x2	30S	62	55	35.5	41	50	315
	TR320-S-38	M52x2	38S	72	63	41	50	60	315

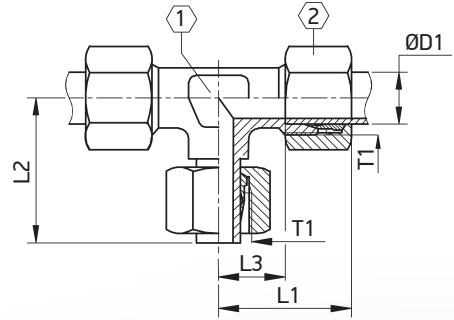
Metrik 24° Tip L/S

TR 330-L/S

Metrik 24° Tip L/S

Orta Bacak T

Branch Tee - Metric



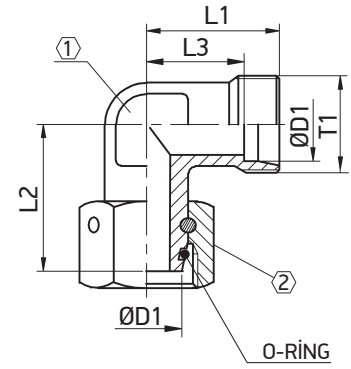
	Kod No Part Number	Diş Ölçüsü Thread	Boyut Ölçüleri (mm) Dimensions in (mm)						
	ID No	T1	Ø D1	L1	L2	L3	①	②	PN Bar
L	TR330-L-6	M12x1.5	6L	27	26	12	12	14	315
	TR330-L-8	M14x1.5	8L	29	27.5	14	12	17	315
	TR330-L-10	M16x1.5	10L	30	29	15	14	19	315
	TR330-L-12	M18x1.5	12L	32	29.5	17	17	22	315
	TR330-L-15	M22x1.5	15L	36	32.5	21	19	27	315
	TR330-L-18	M26x1.5	18L	40	35.5	23.5	24	32	315
	TR330-L-22	M30x2	22L	44	38.5	27.5	27	36	315
	TR330-L-28	M36x2	28L	47	41.5	30.5	36	41	315
	TR330-L-35	M45x2	35L	56	51	34.5	41	50	315
	TR330-L-42	M52x2	42L	63	56	40	50	60	315
S	TR330-S-6	M14x1.5	6S	31	27	16	12	17	400
	TR330-S-8	M16x1.5	8S	32	27.5	17	14	19	400
	TR330-S-10	M18x1.5	10S	34	30	17.5	17	22	400
	TR330-S-12	M20x1.5	12S	38	31	21.5	17	24	400
	TR330-S-16	M24x1.5	16S	43	36.5	24.5	24	30	400
	TR330-S-20	M30x2	20S	48	44.5	26.5	27	36	400
	TR330-S-25	M36x2	25S	54	50	30	36	46	400
	TR330-S-30	M42x2	30S	62	55	35.5	41	50	315
	TR330-S-38	M52x2	38S	72	63	41	50	60	315

TR 331-L/S

Metrik 24° Tip L/S

Ters Dirsek - Pimli

Standpipe Elbow - Thrust Wire



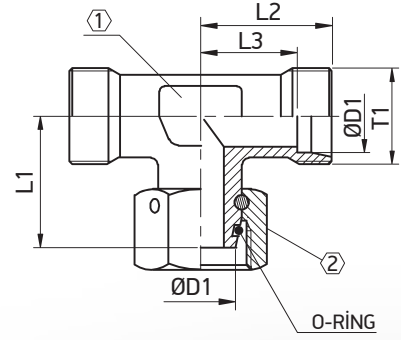
	Kod No Part Number	Diş Ölçüsü Thread	Boyut Ölçüleri (mm) Dimensions in (mm)						
	ID No	T1	Ø D1	L1	L2	L3	①	②	PN Bar
L	TR331-L-6-6	M12x1.5	6L	19	25	12	12	14	315
	TR331-L-8-8	M14x1.5	8L	21	26.5	14	12	17	315
	TR331-L-10-10	M16x1.5	10L	22	27	15	14	19	315
	TR331-L-12-12	M18x1.5	12L	24	27.5	17	17	22	315
	TR331-L-15-15	M22x1.5	15L	28	30.5	21	19	27	315
	TR331-L-18-18	M26x1.5	18L	31	33.5	23.5	24	32	300
	TR331-L-22-22	M30x2	22L	35	36	27.5	27	36	300
	TR331-L-28-28	M36x2	28L	38	38	30.5	36	41	300
	TR331-L-35-35	M45x2	35L	45	48.5	34.5	41	50	300
	TR331-L-42-42	M52x2	42L	51	56	40	50	60	300
S	TR331-S-6-6	M14x1.5	6S	23	27	16	17	17	630
	TR331-S-8-8	M16x1.5	8S	27	27.5	17	14	19	630
	TR331-S-10-10	M18x1.5	10S	25	30	17.5	17	22	630
	TR331-S-12-12	M20x1.5	12S	29	29	21.5	19	24	630
	TR331-S-16-16	M24x1.5	16S	33	33	24.5	24	30	400
	TR331-S-20-20	M30x2	20S	37	41.5	26.5	27	36	400
	TR331-S-25-25	M36x2	25S	42	44	30	36	46	400
	TR331-S-30-30	M42x2	30S	49	47.5	35.5	41	50	400
	TR331-S-38-38	M52x2	38S	57	57	41	50	60	315

TR 332-L/S

Metrik 24° Tip L/S

Orta Bacak T - Pimli

Branch Tee - Thrust Wire



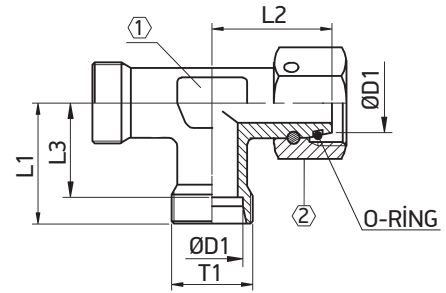
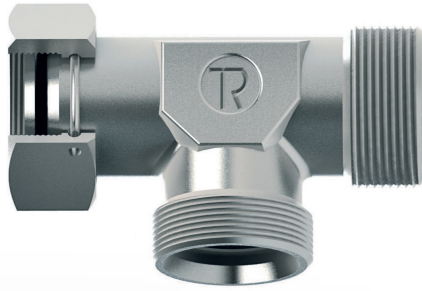
	Kod No Part Number	Diş Ölçüsü Thread	Boyut Ölçüleri (mm) Dimensions in (mm)						
	ID No	T1	Ø D1	L1	L2	L3	①	②	PN Bar
L	TR332-L-6-6	M12x1.5	6L	25	19	12	12	14	315
	TR332-L-8-8	M14x1.5	8L	26.5	19	14	12	17	315
	TR332-L-10-10	M16x1.5	10L	27	22	15	14	19	315
	TR332-L-12-12	M18x1.5	12L	27.5	24	17	17	22	315
	TR332-L-15-15	M22x1.5	15L	31	28	21	19	27	315
	TR332-L-18-18	M26x1.5	18L	33.5	31	23.5	24	32	300
	TR332-L-22-22	M30x2	22L	36	35	27.5	27	36	300
	TR332-L-28-28	M36x2	28L	37.5	38	30.5	36	41	300
	TR332-L-35-35	M45x2	35L	48.5	45	34.5	41	50	300
	TR332-L-42-42	M52x2	42L	56	51	40	50	60	300
S	TR332-S-6-6	M14x1.5	6S	27	23	16	17	17	630
	TR332-S-8-8	M16x1.5	8S	27.5	24	17	14	19	630
	TR332-S-10-10	M18x1.5	10S	30	25	17.5	17	22	630
	TR332-S-12-12	M20x1.5	12S	29	29	21.5	19	24	630
	TR332-S-16-16	M24x1.5	16S	33	33	24.5	24	30	400
	TR332-S-20-20	M30x2	20S	41.5	37	26.5	27	36	400
	TR332-S-25-25	M36x2	25S	44	42	30	36	46	400
	TR332-S-30-30	M42x2	30S	47.5	49	35.5	41	50	400
	TR332-S-38-38	M52x2	38S	57	57	41	50	60	315

TR 333-L/S

Metrik 24° Tip L/S

Yan Bacak T-Pimli

Barrel Tee - Thrust Wire



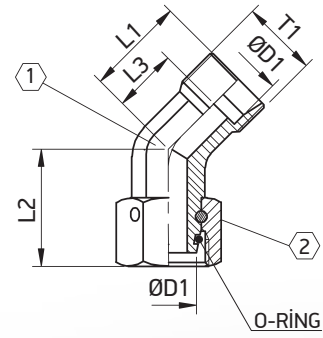
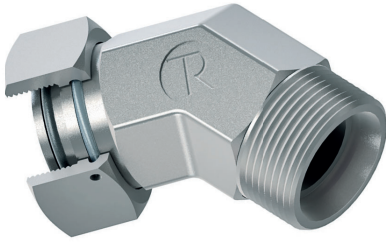
	Kod No Part Number	Diş Ölçüsü Thread	Boyut Ölçüleri (mm) Dimensions in (mm)						
	ID No	T1	Ø D1	L1	L2	L3	①	②	PN Bar
L	TR333-L-6-6	M12x1.5	6L	25	19	12	12	14	315
	TR333-L-8-8	M14x1.5	8L	27.5	19	19	12	17	315
	TR333-L-10-10	M16x1.5	10L	27.5	22	15	14	19	315
	TR333-L-12-12	M18x1.5	12L	27.5	24	17	17	22	315
	TR333-L-15-15	M22x1.5	15L	31	28	21	19	27	315
	TR333-L-18-18	M26x1.5	18L	33.5	31	23.5	24	32	300
	TR333-L-22-22	M30x2	22L	36	35	27.5	27	36	300
	TR333-L-28-28	M36x2	28L	37.5	38	30.5	36	41	300
	TR333-L-35-35	M45x2	35L	48.5	48.5	34.5	41	50	300
	TR333-L-42-42	M52x2	42L	56	51	40	50	60	300
S	TR333-S-6-6	M14x1.5	6S	27	23	16	17	17	630
	TR333-S-8-8	M16x1.5	8S	27.5	24	17	14	19	630
	TR333-S-10-10	M18x1.5	10S	29	25	17.5	17	22	630
	TR333-S-12-12	M20x1.5	12S	29	29	21.5	19	24	630
	TR333-S-16-16	M24x1.5	16S	33	33	24.5	24	30	400
	TR333-S-20-20	M30x2	20S	41.5	37	26.5	27	36	400
	TR333-S-25-25	M36x2	25S	44	42	30	36	46	400
	TR333-S-30-30	M42x2	30S	48	47.5	35.5	41	50	400
	TR333-S-38-38	M52x2	38S	57	57	41	50	60	315

TR 334-L/S

Metrik 24° Tip L/S

Ters Dirsek - Pimli 45°

Swivel Nut Elbow 45° - Thrust Wire



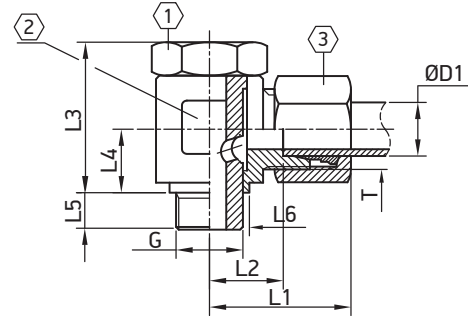
	Kod No Part Number	Diş Ölçüsü Thread	Boyut Ölçüleri (mm) Dimensions in (mm)						PN Bar
	ID No	T1	Ø D1	L1	L2	L3	①	②	
L	TR334-L-6-6	M12x1.5	6L	16	25	9	14	14	315
	TR334-L-8-8	M14x1.5	8L	19	27.5	12	14	17	315
	TR334-L-10-10	M16x1.5	10L	19	29	12	19	19	315
	TR334-L-12-12	M18x1.5	12L	21	28	14	19	22	315
	TR334-L-15-15	M22x1.5	15L	24	30.5	17	22	27	315
	TR334-L-18-18	M26x1.5	18L	24	33.5	16.5	27	32	300
	TR334-L-22-22	M30x2	22L	26	35	18.5	30	36	300
	TR334-L-28-28	M36x2	28L	30.5	37	23	36	41	300
	TR334-L-35-35	M45x2	35L	37	51	26.5	50	50	300
TR334-L-42-42	M52x2	42L	37	56	26	50	60	300	
S	TR334-S-6-6	M14x1.5	6S	16	27	9	14	17	630
	TR334-S-8-8	M16x1.5	8S	19	27.5	12	19	19	630
	TR334-S-10-10	M18x1.5	10S	21	30	13.5	19	22	630
	TR334-S-12-12	M20x1.5	12S	24	31	16.5	19	24	630
	TR334-S-16-16	M24x1.5	16S	24	32	15.5	24	30	400
	TR334-S-20-20	M30x2	20S	26.5	40	16	27	36	400
	TR334-S-25-25	M36x2	25S	37	49	25	36	46	400
	TR334-S-30-30	M42x2	30S	37	48	23.5	50	50	400
	TR334-S-38-38	M52x2	38S	37	63	21	50	60	315

TR 340-L/S

Metrik 24° Tip L/S

Döner Dirsek / Metrik

Banjo Swivel Elbow



Kod No Part Number	Diş Ölçüsü Thread		Boyut Ölçüleri (mm) Dimensions in (mm)										
	G	T	Ø D1	L1	L2	L3	L4	L5	L6	①	②	③	PN Bar
TR340-L-2-6	G1/8"-19	M12x1.5	6L	27	12	24	10.5	8	14	17	17	14	315
TR340-L-4-8	G1/4"-19	M14x1.5	8L	29	14.5	30	14	12	18	19	22	17	315
TR340-L-4-10	G1/4"-19	M16x1.5	10L	30	15.5	30	14	12	18	19	22	19	315
TR340-L-6-12	G3/8"-19	M18x1.5	12L	33	18	36	16.5	12	22	24	27	22	315
TR340-L-8-15	G1/2"-14	M22x1.5	15L	37	21.5	45	21.5	14	26	30	32	27	315
TR340-L-8-18	G1/2"-14	M26x1.5	18L	37	21	45	21.5	14	26	30	32	32	315
TR340-L-12-22	G3/4"-14	M30x2	22L	44	27.5	53	24	16	32	36	41	36	300
TR340-L-16-28	G1"-11	M36x2	28L	49	32	66	30.5	18	39	46	50	41	300
TR340-L-20-35	G1"1/4-11	M45x2	35L	58	36	76	35.5	20	49	55	60	50	300
TR340-S-4-6	G1/4"-19	M14x1.5	6S	31	16.5	30	14	12	18	19	22	17	400
TR340-S-4-8	G1/4"-19	M16x1.5	8S	31	16.5	30	14	12	18	19	22	19	400
TR340-S-6-10	G3/8"-19	M18x1.5	10S	35	18.5	36	16.5	12	22	24	27	22	400
TR340-S-6-12	G3/8"-19	M20x1.5	12S	35	18.5	36	16.5	12	22	24	27	24	400
TR340-S-8-16	G1/2"-14	M24x1.5	16S	40	22	45	21.5	14	26	30	32	30	400
TR340-S-12-20	G3/4"-14	M30x2	20S	48	26.5	53	24	16	32	36	41	36	400
TR340-S-16-25	G1"-11	M36x2	25S	56	31.5	66	30.5	18	39	46	50	46	400
TR340-S-20-30	G1"1/4-11	M42x2	30S	64	27	76	35.5	20	49	55	60	50	400

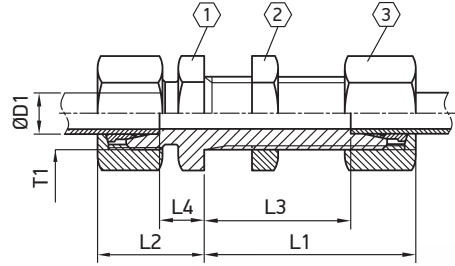
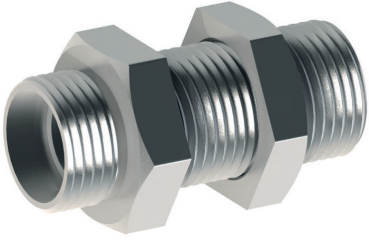
Metrik 24° Tip L/S

TR 350-L/S

Metrik 24° Tip L/S

Perde Geçiş Nipelı

Bulkhead Connector - Metric



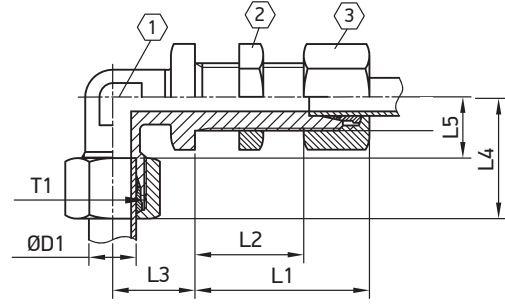
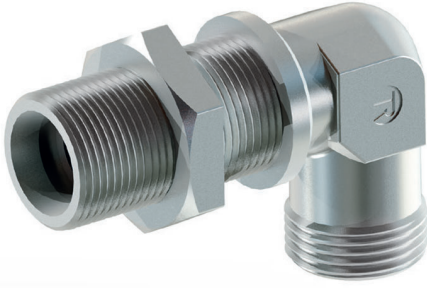
Kod No Part Number	Diş Ölçüsü Thread	Boyut Ölçüleri (mm) Dimensions in (mm)								PN Bar
		ID No	T1	Ø D1	L1	L2	L3	L4	①	
TR350-L-6-6	M12x1.5	6L	42	22	26	8	17	17	14	315
TR350-L-8-8	M14x1.5	8L	42	23	27	8	19	19	17	315
TR350-L-10-10	M16x1.5	10L	43	25	28	10	22	22	19	315
TR350-L-12-12	M18x1.5	12L	44	25	29	10	24	24	22	315
L TR350-L-15-10	M16x1.5	10L	35	19	28	10	22	22	22	315
TR350-L-15-12	M18x1.5	12L	36	19	29	10	24	24	24	315
TR350-L-15-15	M22x1.5	15L	46	27	31	12	27	27	27	315
TR350-L-18-18	M26x1.5	18L	49	29	32.5	12.5	32	36	32	315
TR350-L-22-22	M30x2	22L	51	33	34.5	16.5	36	41	36	315
TR350-L-28-28	M36x2	28L	52	35	35.5	18.5	41	46	41	315
TR350-L-35-35	M45x2	35L	58	40	36.5	18.5	50	55	50	315
TR350-L-42-42	M52x2	42L	59	42	36	19	60	65	60	315
TR350-S-6-6	M14x1.5	6S	44	27	29	12	19	19	17	630
TR350-S-8-8	M16x1.5	8S	44	28	29	13	22	22	19	630
TR350-S-10-10	M18x1.5	10S	46	31	29.5	14.5	24	24	22	630
TR350-S-12-12	M20x1.5	12S	47	31	30.5	14.5	27	27	24	630
S TR350-S-16-16	M24x1.5	16S	50	35	31.5	16.5	32	32	30	400
TR350-S-20-20	M30x2	20S	56	39	33.5	17.5	41	41	36	400
TR350-S-25-25	M36x2	25S	59	44	35	20	46	46	46	400
TR350-S-30-30	M42x2	30S	64	48	37.5	21.5	50	50	50	400
TR350-S-38-38	M52x2	38S	68	53	37	22	65	65	60	315

TR 360-L/S

Metrik 24° Tip L/S

Perde Geçiş Dirseği

Bulkhead Elbow - Metric



Kod No Part Number	Diş Ölçüsü Thread	Boyut Ölçüleri (mm) Dimensions in (mm)									
		ID No	T1	Ø D1	L1	L2	L3	L4	L5	①	②
TR360-L-6-6	M12x1.5	6L	42	27	14	27	12	12	17	14	315
TR360-L-8-8	M14x1.5	8L	42	27	17	29	14	12	19	17	315
TR360-L-10-10	M16x1.5	10L	43	28	18	30	15	14	22	19	315
TR360-L-12-12	M18x1.5	12L	44	29	20	32	17	17	24	22	315
TR360-L-15-15	M22x1.5	15L	46	31	23	36	21	19	30	27	315
TR360-L-18-18	M26x1.5	18L	49	32.5	24	40	23.5	24	36	32	315
TR360-L-22-22	M30x2	22L	51	34.5	30	44	27.5	27	41	36	315
TR360-L-28-28	M36x2	28L	52	35.5	34	47	30.5	36	46	41	315
TR360-L-35-35	M45x2	35L	58	36.5	39	56	34.5	41	55	50	315
TR360-L-42-42	M52x2	42L	59	36	43	63	40	50	65	60	315
TR360-S-6-6	M14x1.5	6S	44	29	17	31	16	12	19	17	630
TR360-S-8-8	M16x1.5	8S	44	29	18	32	17	14	22	19	630
TR360-S-10-10	M18x1.5	10S	46	29.5	20	34	17.5	17	24	22	630
TR360-S-12-12	M20x1.5	12S	47	30.5	21	38	21.5	17	27	24	630
TR360-S-16-16	M24x1.5	16S	50	31.5	24	43	24.5	24	32	30	400
TR360-S-20-20	M30x2	20S	55	33.5	30	48	26.5	27	41	36	400
TR360-S-25-25	M36x2	25S	59	35	34	54	30	36	46	46	400
TR360-S-30-30	M42x2	30S	68	37.5	39	66	35.5	41	50	50	400
TR360-S-38-38	M52x2	38S	68	37	43	72	41	50	65	60	400

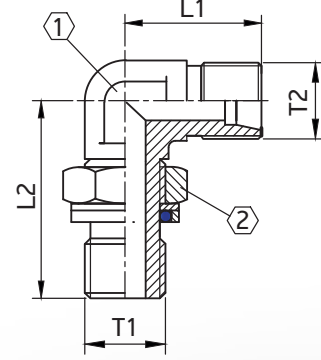
Metrik 24° Tip L/S

TR 361-L/S

BSP-Metrik 24° Tip L/S

Kontralı Dirsek

Bulkhead Elbow - Metric



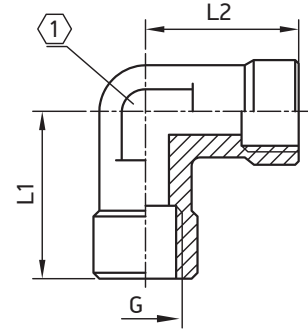
	Kod No Part Number	Diş Ölçüsü Thread		Boyut Ölçüleri (mm) Dimensions in (mm)					
	ID No	T1	T2	Ø D1	L1	L2	①	②	PN Bar
L	TR361-2-6-L	1/8-28	M12x1.5	6L	21	26	12	17	350
	TR361-4-8-L	1/4-19	M14x1.5	8L	23	32	14	19	350
	TR361-4-10-L	1/4-19	M16x1.5	10L	24	34	14	19	350
	TR361-6-12-L	3/8-19	M18x1.5	12L	26	37	19	24	350
	TR361-8-15-L	1/2-14	M22x1.5	15L	43	28	24	27	350
	TR361-8-18-L	1/2-14	M26x1.5	18L	49	31	24	27	350
	TR361-12-22-L	3/4-14	M30x2	22L	49	35	27	32	350
	TR361-16-28-L	1"-11	M36x2	28L	59	38	36	41	350
	TR361-20-35-L	1"1/4-11	M45x2	35L	65	48	50	50	350
	TR361-24-42-L	1"1/2-11	M52x2	42L	67	49	50	55	350
S	TR361-4-6-S	1/4-19	M14x1.5	6S	22	38	14	19	420
	TR361-4-8-S	1/4-19	M16x1.5	8S	24	44	17	19	420
	TR361-6-10-S	3/8-19	M18x1.5	10S	25	47	19	24	420
	TR361-6-12-S	3/8-19	M20x1.5	12S	29	41	24	24	420
	TR361-8-16-S	1/2-14	M24x1.5	16S	33	49	24	27	420
	TR361-12-20-S	3/4-14	M30x2	20S	38	67	27	32	420
	TR361-16-25-S	1"-14	M36x2	25S	54	74	36	41	420
	TR361-20-30-S	1"1/4-11	M42x2	30S	49	85	50	50	420
	TR361-24-38-S	1"1/2-11	M52x2	38S	50	89	55	55	420

TR 370

BSP

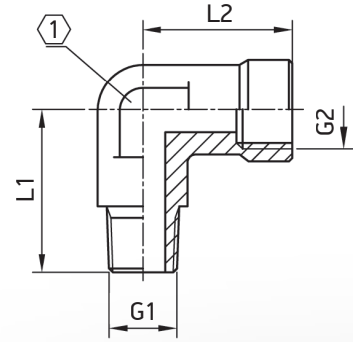
Diři Dirsek

Elbow - Female



Kod No Part Number	Diři Ölçüsü Thread	Boyut Ölçüleri (mm) Dimensions in (mm)			
ID No	G	L1	L2	①	PN Bar
TR370-2-2	G1/8"-28	17	17	14	350
TR370-4-4	G1/4"-19	22	22	19	350
TR370-6-6	G3/8"-19	26	26	24	350
TR370-8-8	G1/2"-14	32	32	27	350
TR370-12-12	G3/4"-14	36	36	33	315
TR370-16-16	G1"-11	43	43	41	315
TR370-20-20	G1"1/4-11	45	45	50	315
TR370-24-24	G1"1/2-11	55	55	50	315

BSP

Kuyruklu Dirsek**Elbow - Female / Male Thread**

BSP

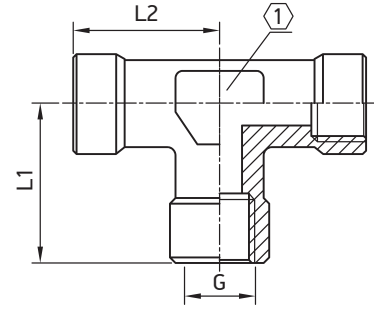
Kod No Part Number	Diş Ölçüsü Thread		Boyut Ölçüleri (mm) Dimensions in (mm)			
	G1	G2	L1	L2	①	PN Bar
TR375-2-2	G1/8"-28	G1/8"-28	20	17	14	350
TR375-4-4	G1/4"-19	G1/4"-19	28	22	19	350
TR375-6-6	G3/8"-19	G3/8"-19	31	26	24	350
TR375-8-8	G1/2"-14	G1/2"-14	37	32	27	350
TR375-12-12	G3/4"-14	G3/4"-14	41	36	36	315
TR375-16-16	G1"-11	G1"-11	50	43	41	315
TR375-20-20	G1"1/4-11	G1"1/4-11	61	49	50	315
TR375-24-24	G1"1/2-11	G1"1/2-11	65	53	50	315

TR 380

BSP

Dişi T

Tee - Female

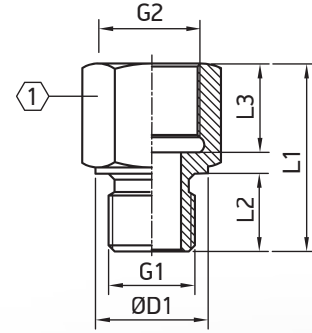
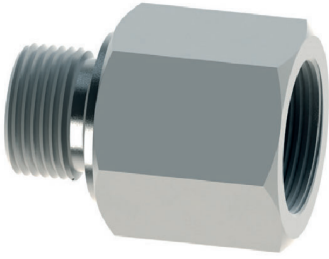


Kod No Part Number	Diş Ölçüsü Thread	Boyut Ölçüleri (mm) Dimensions in (mm)			
ID No	G	L1	L2	①	PN Bar
TR380-2	G1/8"-28	17	17	14	350
TR380-4	G1/4"-19	22	22	19	350
TR380-6	G3/8"-19	26	26	24	350
TR380-8	G1/2"-14	32	32	27	350
TR380-12	G3/4"-14	36	36	36	350
TR380-16	G1"-11	43	43	41	350
TR380-20	G1"1/4-11	49	49	50	350
TR380-24	G1"1/2-11	55	55	50	350

BSP

Lüle Redüksiyon - BSP/BSP

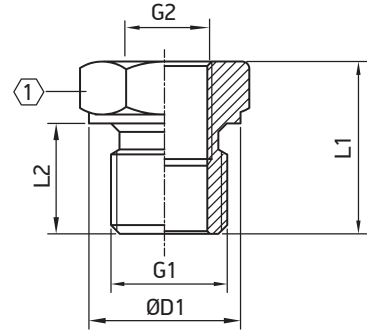
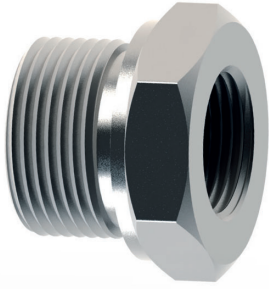
Reducer - Long Type



Kod No Part Number	Diş Ölçüsü Thread		Boyut Ölçüleri (mm) Dimensions in (mm)					
	G1	G2	ØD1	L1	L2	L3	①	PN Bar
TR390-L-2-4	G1/8"-28	G1/4"-19	14	31	8	17	19	400
TR390-L-4-6	G1/4"-19	G3/8"-19	19	36	12	17	24	400
TR390-L-6-4	G3/8"-19	G1/4"-19	22	36	12	17	22	400
TR390-L-4-8	G1/4"-19	G1/2"-14	18	40	12	20	30	400
TR390-L-4-12	G1/4"-19	G3/4"-14	18	43	12	22	36	400
TR390-L-6-8	G3/8"-19	G1/2"-14	22	41	12	20	30	400
TR390-L-6-12	G3/8"-19	G3/4"-14	22	44	12	22	36	400
TR390-L-8-6	G1/2"-14	G3/8"-19	27	36	14	17	27	315
TR390-L-8-12	G1/2"-14	G3/4"-14	26	46	14	22	32	315
TR390-L-8-16	G1/2"-14	G1"-11	26	49	14	24	41	315
TR390-L-8-20	G1/2"-14	G1 1/4"-11	26	53	14	26	55	315
TR390-L-12-16	G3/4"-14	G1"-11	32	51	16	24	41	315
TR390-L-12-20	G3/4"-14	G1 1/4"-11	32	55	16	26	55	315
TR390-L-12-24	G3/4"-14	G1 1/2"-11	32	57	16	28	60	315
TR390-L-16-20	G1"-11	G1 1/4"-11	39	57	18	26	55	315
TR390-L-20-16	G1 1/4"-11	G1"-11	50	53	20	25	50	315

Redüksiyon - BSP/BSP

Reducer



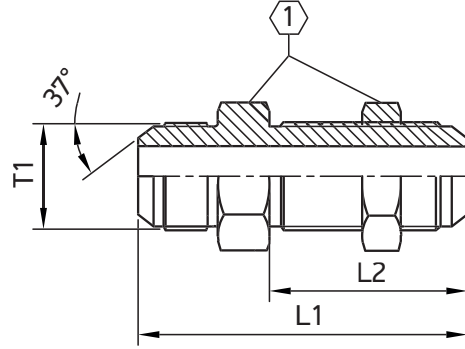
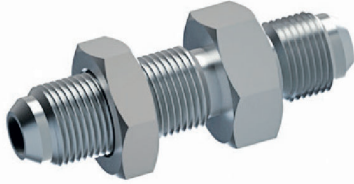
Kod No Part Number	Diş Ölçüsü Thread		Boyut Ölçüleri (mm) Dimensions in (mm)				
ID No	G1	G2	ØD1	L1	L2	①	PN Bar
TR390-R-4-2	G1/4"-19	G1/8"-28	19	19	12	19	400
TR390-R-6-2	G3/8"-19	G1/8"-28	22	21	12	22	400
TR390-R-6-4	G3/8"-19	G1/4"-19	22	21	12	22	400
TR390-R-8-2	G1/2"-14	G1/8"-28	27	23	14	27	400
TR390-R-8-4	G1/2"-14	G1/4"-19	27	24	14	27	400
TR390-R-8-6	G1/2"-14	G3/8"-19	27	24	14	27	315
TR390-R-12-4	G3/4"-14	G1/4"-19	32	27	16	32	315
TR390-R-12-6	G3/4"-14	G3/8"-19	32	27	16	32	315
TR390-R-12-8	G3/4"-14	G1/2"-14	32	27	16	32	315
TR390-R-16-4	G1"-11	G1/4"-19	41	29	18	41	315
TR390-R-16-6	G1"-11	G3/8"-19	41	29	18	41	315
TR390-R-16-8	G1"-11	G1/2"-14	41	29	18	41	315
TR390-R-20-8	G1"1/4-11	G1/2"-14	50	32	20	50	315
TR390-R-20-12	G1"1/4-11	G3/4"-14	50	32	20	50	315
TR390-R-20-16	G1"1/4-11	G1"-11	50	32	20	50	315
TR390-R-24-6	G1"1/2-11	G3/8"-19	55	36	22	55	315
TR390-R-24-8	G1"1/2-11	G1/2"-14	55	36	22	55	315
TR390-R-24-12	G1"1/2-11	G3/4"-14	55	36	22	55	315
TR390-R-24-16	G1"1/2-11	G1"-11	55	36	22	55	315
TR390-R-24-20	G1"1/2-11	G1"1/4-11	55	36	22	55	315

TR 392

UNF 37°

UNF Perde Geçiş Nipelini

Bulkhead Connector / UNF



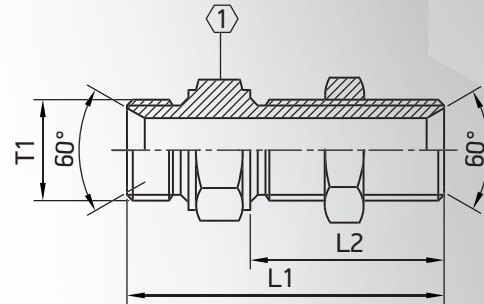
Kod No Part Number	Diş Ölçüsü Thread	Boyut Ölçüleri (mm) Dimensions in (mm)			
ID No	T1	L1	L2	①	PN Bar
TR392-6-6 S	9/16"-18	55	33	22	420
TR392-8-8 S	3/4"-16	62	37	24	420
TR392-10-10 S	7/8"-14	68.5	40	30	350
TR392-12-12 S	1"1/16-12	77	44	36	350
TR392-16-16 S	1"5/16-12	78	44	41	350
TR392-20-20 S	1"5/8-12	84	46	50	350
TR392-24-24 S	1"7/8-12	88.5	46	55	350

TR 393

BSP 60°

BSP Perde Geçiş Nipelini

Bulkhead Connector / BSP



Kod No Part Number	Diş Ölçüsü Thread	Boyut Ölçüleri (mm) Dimensions in (mm)			
ID No	T1	L1	L2	①	PN Bar
TR393-4-4	1/4"-19	28	49	19	350
TR393-6-6	3/8"-19	55	32	22	350
TR393-8-8	1/2"-14	62	35	27	350
TR393-12-12	3/4"-14	67	38	32	350
TR393-16-16	1"-11	74	41	41	350
TR393-20-20	1"1/4-11	83	44	50	350
TR393-24-24	1"1/2-11	89	48	55	350

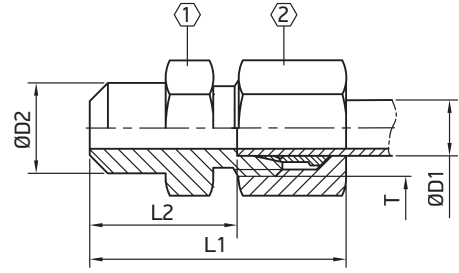
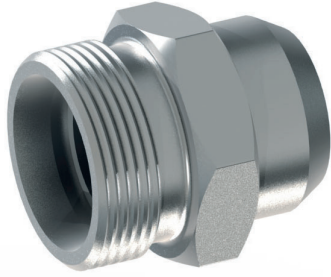
UNF 37° - BSP 60°

TR 400-L/S

Metrik 24° Tip L/S

Kaynaklık Nipel

Welding Straight Connector



	Kod No Part Number	Diş Ölçüsü Thread	Boyut Ölçüleri (mm) Dimensions in (mm)						
	ID No	T	Ø D1	L1	L2	Ø D2	①	②	PN Bar
L	TR400-L-6	M12x1.5	6L	29	15	10	12	14	315
	TR400-L-8	M14x1.5	8L	31	17	12	14	17	315
	TR400-L-10	M16x1.5	10L	33	18	14	17	19	315
	TR400-L-12	M18x1.5	12L	33	18	16	19	22	315
	TR400-L-15	M22x1.5	15L	37	22	19	22	27	315
	TR400-L-18	M26x1.5	18L	40	23.5	22	27	32	315
	TR400-L-22	M30x2	22L	45	28.5	27	32	36	315
	TR400-L-28	M36x2	28L	47	30.5	32	41	41	315
	TR400-L-35	M45x2	35L	54	32.5	40	46	50	315
	TR400-L-42	M52x2	42L	58	35	46	55	60	315
S	TR400-S-6	M14x1.5	6S	34	19	11	14	17	630
	TR400-S-8	M16x1.5	8S	36	21	13	17	19	630
	TR400-S-10	M18x1.5	10S	39	22.5	15	19	22	630
	TR400-S-12	M20x1.5	12S	41	24.5	17	22	24	630
	TR400-S-16	M24x1.5	16S	45	26.5	21	27	30	400
	TR400-S-20	M30x2	20S	51	29.5	26	32	36	400
	TR400-S-25	M36x2	25S	56	32	31	41	46	400
	TR400-S-30	M42x2	30S	62	35.5	36	46	50	400
	TR400-S-38	M52x2	38S	69	38	44	55	60	400

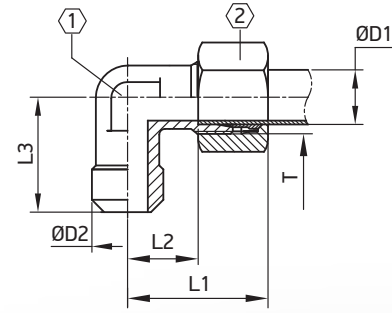
Metrik 24° Tip L/S

TR 410-L/S

Metrik 24° Tip L/S

Kaynaklık Dirsek

Welding Elbow - Metric



Metrik 24° Tip L/S

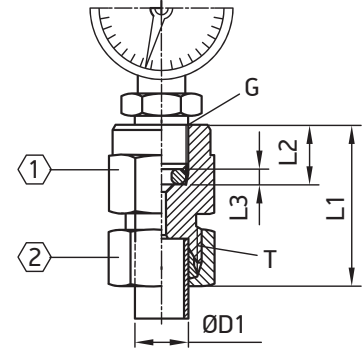
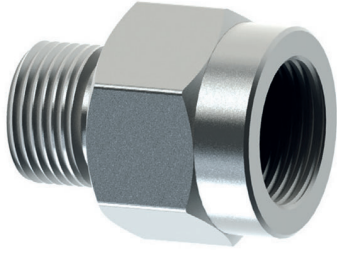
	Kod No Part Number	Diş Ölçüsü Thread	Boyut Ölçüleri (mm) Dimensions in (mm)							
	ID No	T	Ø D1	L1	L2	L3	Ø D2	①	②	PN Bar
L	TR410-L-6-6	M12x1.5	6L	27	12	19	10	12	14	315
	TR410-L-8-8	M14x1.5	8L	29	14	23	12	12	17	315
	TR410-L-10-10	M16x1.5	10L	30	15	24	14	14	19	315
	TR410-L-12-12	M18x1.5	12L	32	17	25	16	17	22	315
	TR410-L-15-15	M22x1.5	15L	36	21	30	19	24	27	315
	TR410-L-18-18	M26x1.5	18L	40	23.5	33	22	24	32	315
	TR410-L-22-22	M30x2	22L	44	27.5	37	27	27	36	160
	TR410-L-28-28	M36x2	28L	47	30.5	42	32	36	41	160
	TR410-L-35-35	M45x2	35L	56	34.5	49	40	41	50	160
	TR410-L-42-42	M52x2	42L	63	40	57	46	50	60	160
S	TR410-S-6-6	M14x1.5	6S	31	16	23	11	12	17	630
	TR410-S-8-8	M16x1.5	8S	32	17	24	13	14	19	630
	TR410-S-10-10	M18x1.5	10S	34	17.5	25	15	17	22	630
	TR410-S-12-12	M20x1.5	12S	38	21.5	29	17	19	24	630
	TR410-S-16-16	M24x1.5	16S	43	24.5	33	23.5	24	30	630
	TR410-S-20-20	M30x2	20S	48	26.5	37	26	27	36	400
	TR410-S-25-25	M36x2	25S	54	30	42	31	36	46	400
	TR410-S-30-30	M42x2	30S	62	35.5	49	36	41	50	400
	TR410-S-38-38	M52x2	38S	72	41	57	44	50	60	315

TR 420-L/S

Metrik 24° Tip L/S

Manometre Rakoru

Gauge Fittings



	Kod No Part Number	Diş Ölçüsü Thread		Boyut Ölçüleri (mm) Dimensions in (mm)						
	ID No	G	T	Ø D1	L1	L2	L3	①	②	PN Bar
L	TR420-L-4-6	G1/4"-19	M12x1.5	6L	38	15	3.5	19	14	315
	TR420-L-4-8	G1/4"-19	M14x1.5	8L	38	15	3.5	19	17	315
	TR420-L-4-10	G1/4"-19	M16x1.5	10L	39.5	15	3.5	19	19	315
	TR420-L-4-12	G1/4"-19	M18x1.5	12L	40.5	15	3.5	19	22	315
	TR420-L-8-6	G1/2"-14	M12x1.5	6L	45	19	4	27	14	315
	TR420-L-8-8	G1/2"-14	M14x1.5	8L	45	19	4	27	17	315
	TR420-L-8-10	G1/2"-14	M16x1.5	10L	45	19	4	27	19	315
	TR420-L-8-12	G1/2"-14	M18x1.5	12L	47	19	4	27	22	315
	TR420-L-8-15	G1/2"-14	M22x1.5	15L	47	19	4	27	24	315
S	TR420-S-4-6	G1/4"-19	M14x1.5	6S	45	19	4	27	17	630
	TR420-S-4-8	G1/4"-19	M16x1.5	8S	45	19	4	27	19	630
	TR420-S-4-10	G1/4"-19	M18x1.5	10S	47	19	4	27	22	630
	TR420-S-4-12	G1/4"-19	M20x1.5	12S	47.5	19	4	27	24	630
	TR420-S-8-6	G1/2"-14	M14x1.5	6S	45	19	4	27	17	630
	TR420-S-8-8	G1/2"-14	M16x1.5	8S	45	19	4	27	19	630
	TR420-S-8-10	G1/2"-14	M18x1.5	10S	47	19	4	27	22	630
	TR420-S-8-12	G1/2"-14	M20x1.5	12S	47.5	19	4	27	24	630
	TR420-S-8-16	G1/2"-14	M24x1.5	16S	47.5	19	4	27	30	630
	TR420-S-8-16-1	G1/2"-14	M12x1.5	16S	47.5	15	-	27	30	630
	TR420-S-12-20	G2/4"-14	M30x2	20S	47.5	11	-	32	36	630

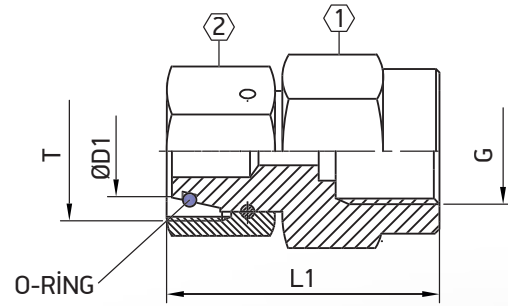
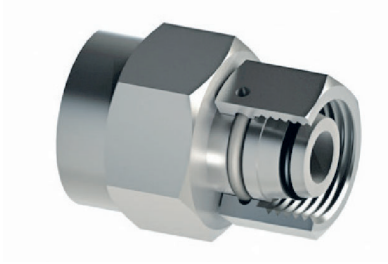
Metrik 24° Tip L/S

TR 421

Metrik 24° Tip L

Manometre Ters Rakor (Pimli)

Gauge Fittings - Thrust Wire



Kod No Part Number	Diş Ölçüsü Thread		Boyut Ölçüleri (mm) Dimensions in (mm)				
	G	T	Ø D1	L1	①	②	PN Bar
TR421-4-6	G1/4"-19	M12x1.5	6 L	35	19	14	315
TR421-4-8	G1/4"-19	M14x1.5	8 L	35	19	17	315
TR421-4-10	G1/4"-19	M16x1.5	10 L	35	19	19	315
TR421-4-12	G1/4"-19	M18x1.5	12 L	35	19	22	315
TR421-8-6	G1/2"-14	M12x1.5	6 L	38	27	14	315
TR421-8-8	G1/2"-14	M14x1.5	8 L	38	27	17	315
TR421-8-10	G1/2"-14	M16x1.5	10 L	38	27	19	315
TR421-8-12	G1/2 -14	M18x1.5	12 L	38	27	22	315

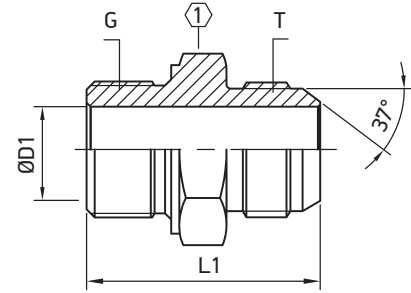
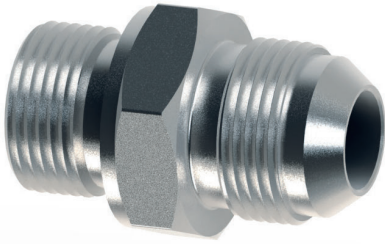
Metrik 24° Tip L

TR 430

BSP/UNF 37°

BSP/UNF Nipel

Adapters - BSP/UNF



Kod No Part Number	Diş Ölçüsü Thread		Boyut Ölçüleri (mm) Dimensions in (mm)			
ID No	G	T	ØD1	L1	①	PN Bar
TR430-2-4S	G1/8"-28	7/16"-20	4	29	14	420
TR430-4-4S	G1/4"-19	7/16"-20	4	34	19	420
TR430-4-5S	G1/4"-19	1/2"-20	6	34	19	420
TR430-4-6S	G1/4"-19	9/16"-18	6	34	19	420
TR430-4-7S	G1/4"-19	5/8"-18	6	35	19	420
TR430-6-6S	G3/8"-19	9/16"-18	7.5	35	22	420
TR430-6-7S	G3/8"-19	5/8"-18	7	36	22	420
TR430-6-8S	G3/8"-19	3/4"-16	9	38.5	22	420
TR430-8-6S	G1/2"-14	9/16"-18	7.5	38	27	420
TR430-8-7S	G1/2"-14	5/8"-16	8	38	27	420
TR430-8-8S	G1/2"-14	3/4"-16	9.5	41	27	420
TR430-8-10S	G1/2"-14	7/8"-14	11.5	43	27	350
TR430-8-12S	G1/2"-14	1"1/16-12	12	49	27	350
TR430-12-8S	G3/4"-14	3/4"-16	10	45	32	350
TR430-12-10S	G3/4"-14	7/8"-14	12	48	32	350
TR430-12-12S	G3/4"-14	1"1/16-12	16	51	32	350
TR430-12-16S	G3/4"-14	1"5/16-12	18	53	36	315
TR430-16-12S	G1"-11	1"1/16-12	16	54	41	315
TR430-16-16S	G1"-11	1"5/16-12	21	55	41	315
TR430-20-16S	G1"1/4-11	1"5/16-12	28	59	50	315
TR430-20-20S	G1"1/4-11	1"5/8-12	27	60	50	315
TR430-24-20S	G1"1/2-11	1"5/8-12	27	64	55	315
TR430-24-24S	G1"1/2-11	1"7/8-12	32	67	55	315
TR430-32-32S	G2"-11	2"1/2-12	44	79	65	315

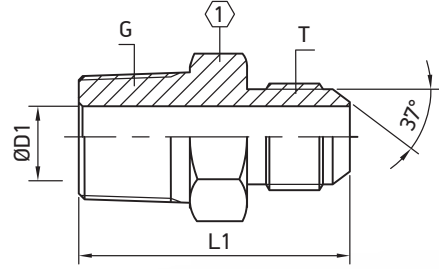
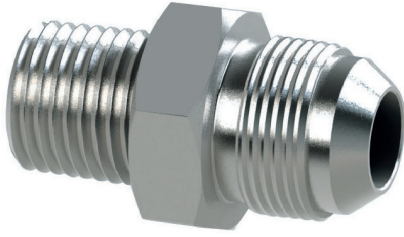
BSP/UNF 37°

TR 431

NPT/UNF 37°

NPT/UNF Nipel

Adapters - NPT/UNF



NPT/UNF 37°

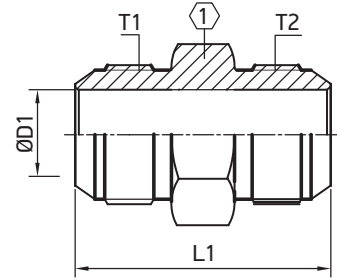
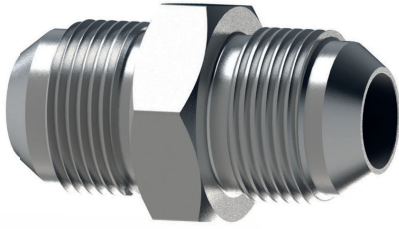
Kod No Part Number	Diş Ölçüsü Thread		Boyut Ölçüleri (mm) Dimensions in (mm)			
	G	T	ØD1	L1	①	PN Bar
TR431-2-4S	1/8"-28	7/16"-20	4	30	12	315
TR431-4-4S	1/4"-19	7/16"-20	4.5	35.5	14	315
TR431-4-5S	1/4"-19	1/2"-20	6	35.5	14	315
TR431-4-6S	1/4"-19	9/16"-18	7	36	17	315
TR431-4-7S	1/4"-19	5/8"-18	7.5	36.5	17	315
TR431-4-8S	1/4"-19	3/4"-16	7	39	19	315
TR431-6-5S	3/8"-19	1/2"-20	5	34	19	315
TR431-6-6S	3/8"-19	9/16"-18	7.5	35.5	19	315
TR431-6-7S	3/8"-19	5/8"-18	8	36.5	19	315
TR431-6-8S	3/8"-19	3/4"-16	9.5	38.5	19	315
TR431-8-6S	1/2"-14	9/16"-18	7.5	41.5	22	315
TR431-8-7S	1/2"-14	5/8"-18	8	42.5	22	315
TR431-8-8S	1/2"-14	3/4"-16	10	44.5	22	315
TR431-8-10S	1/2"-14	7/8"-14	12	47	22	315
TR431-12-8S	3/4"-14	7/8"-14	12	48.5	27	300
TR431-12-12S	3/4"-14	1"1/16-12	16	51	27	300
TR431-16-12S	1"-11	1"1/16-12	16	57	36	300
TR431-16-16S	1"-11	1"5/16-12	21	58	36	300
TR431-20-20S	1"1/4-11	1"5/8-12	27	63	46	300
TR431-24-24S	1"1/2-11	1"7/8-12	33	67.5	50	300
TR431-32-32S	2"-11	2"1/2-12	42.5	77	70	300

TR 432

UNF 37°

Hortum Ara Bağlantı Nipelini

Adapters - UNF/UNF



Kod No Part Number	Diş Ölçüsü Thread		Boyut Ölçüleri (mm) Dimensions in (mm)			
ID No	T1	T2	L1	ØD1	①	PN Bar
TR432-4-4S	7/16"-20	7/16"-20	35	4	14	350
TR432-5-5S	1/2"-20	1/2"-20	35	6	14	350
TR432-6-6S	9/16"-18	9/16"-18	36	7	17	350
TR432-7-7S	5/8"-18	5/8"-18	38	8	17	350
TR432-8-8S	3/4"-16	3/4"-16	42	10	19	350
TR432-10-10S	7/8"-14	7/8"-14	48	12	22	350
TR432-12-12S	1"1/16"-12	1"1/16"-12	55	16	27	350
TR432-16-16S	1"5/16"-12	1"5/16"-12	57	21	36	315
TR432-20-20S	1"5/8"-12	1"5/8"-12	62	27	46	315
TR432-24-24S	1"7/8"-12	1"7/8"-12	70	32	50	315
TR432-32-32S	2"1/2"-12	2"1/2"-12	87	45	65	315

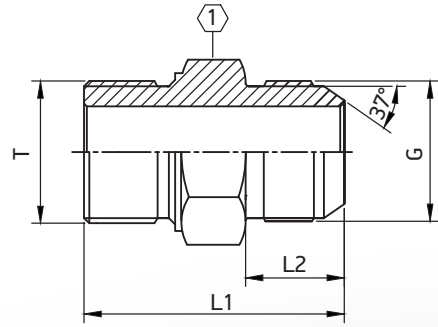
UNF 37°

TR 433

Metrik / UNF 37°

Metrik / UNF Nipel

Adapters - Metric/UNF

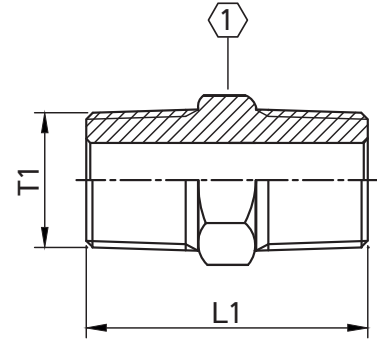


Kod No Part Number	Diş Ölçüsü Thread		Boyut Ölçüleri (mm) Dimensions in (mm)			
	T	G	L1	L2	①	PN Bar
TR433-6-8S	M12x1.5	3/4"-16	39	17	19	420
TR433-8-8S	M14x1.5	3/4"-16	39	17	19	420
TR433-10-7S	M16x1.5	5/8"-18	36	15	22	420
TR433-10-8S	M16x1.5	3/4"-16	39	17	22	420
TR433-12-8S	M18x1.5	3/4"-16	39	17	24	420
TR433-12S-8S	M20x1.5	3/4"-16	42	17	27	350
TR433-15-7S	M22x1.5	5/8"-18	41	16	27	350
TR433-15-8S	M22x1.5	3/4"-16	42	17	27	350
TR433-15-10S	M22x1.5	7/8"-14	45	19.5	27	350

Metrik UNF 37°

NPT Ara Nipeli

Adapters - NPT



Kod No Part Number	Diş Ölçüsü Thread	Boyut Ölçüleri (mm) Dimensions in (mm)		
ID No	T1	L1	①	PN Bar
TR434-2	G1/8"-28	26	12	315
TR434-4	G1/4"-19	35	14	315
TR434-6	G3/8"-19	35.5	17	315
TR434-8	G1/2"-14	44	22	315
TR434-12	G3/4"-14	48	27	315
TR434-16	G1"-11	59	36	315
TR434-20	G1"1/4-11	62	46	315
TR434-24	G1"1/2-11	62	50	315

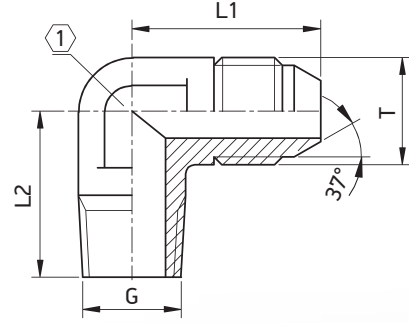
NPT

TR 440

NPT/UNF 37°

Dişli Dirsek

Elbow - NPT/UNF



Kod No Part Number	Diş Ölçüsü Thread		Boyut Ölçüleri (mm) Dimensions in (mm)			
ID No	G	T	L1	L2	①	PN Bar
TR440-2-4	1/8"-28	7/16"-20	23	22	12	350
TR440-4-4	1/4"-19	7/16"-20	27	28	14	350
TR440-4-5	1/4"-19	1/2"-20	27	27	14	350
TR440-4-6	1/4"-19	9/16"-18	27	28	14	350
TR440-6-6	3/8"-19	9/16"-18	27	31	17	350
TR440-6-7	3/8"-19	5/8"-18	31	27	17	350
TR440-6-8	3/8"-19	3/4"-16	32	31	19	350
TR440-8-6	1/2"-14	9/16"-18	31	37	24	350
TR440-8-7	1/2"-14	5/8"-18	34	34	24	350
TR440-8-8	1/2"-14	3/4"-16	34	37	24	350
TR440-8-10	1/2"-14	7/8"-14	37	37	24	350
TR440-8-12	1/2"-14	1"1/16-12	42	40	27	350
TR440-12-10	3/4"-14	7/8"-14	39	40	27	315
TR440-12-12	3/4"-14	1"1/16-12	42	40	27	315
TR440-16-16	1"-11	1"5/16-12	46	50	36	315
TR440-20-20	1"1/4-11	1"5/8-12	52	60	41	315
TR440-24-24	1"1/2-11	1"7/8-12	59	67	50	315

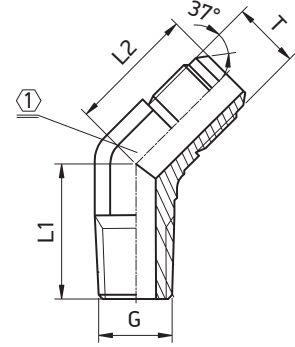
NPT/UNF 37°

TR 441

NPT/UNF 37°

Dişli Dirsek 45°

Elbow 45° - NPT/UNF



Kod No Part Number	Diş Ölçüsü Thread		Boyut Ölçüleri (mm) Dimensions in (mm)			
ID No	G	T	L1	L2	①	PN Bar
TR441-2-4	1/8"-19	7/16"-20	18	16	12	350
TR441-4-4	1/4"-19	7/16"-20	21	22	14	350
TR441-4-5	1/4"-19	1/2"-20	27	21	14	350
TR441-4-6	1/4"-19	9/16"-18	21	22	14	350
TR441-6-6	3/8"-18	9/16"-18	22	24	19	350
TR441-6-7	3/8"-18	5/8"-18	22	24	19	350
TR441-6-8	3/8"-18	3/4"-16	25	24	19	350
TR441-8-6	1/2"-14	9/16"-18	22	30	22	350
TR441-8-7	1/2"-14	5/8"-18	22	30	22	350
TR441-8-8	1/2"-14	3/4"-16	25	30	22	350
TR441-8-10	1/2"-14	7/8"-14	28	30	22	350
TR441-8-12	1/2"-14	1"1/16-12	36	31	27	350
TR441-12-10	3/4"-14	7/8"-14	30	31	27	315
TR441-12-12	3/4"-14	1"1/16-12	33	31	27	315
TR441-16-16	1"-11	1"5/16-12	37	38	36	315
TR441-20-20	1"1/4-11	1"5/8-12	40	42	36	315

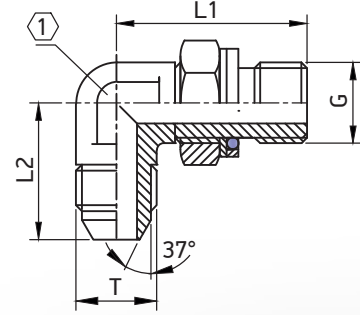
NPT/UNF 37°

TR 450

BSP/UNF 37°

Kontralı Dirsek

Adjustable Locknut Elbow



BSP/UNF 37°

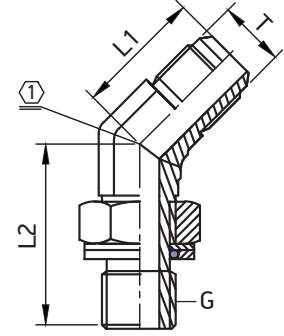
Kod No Part Number	Diş Ölçüsü Thread		Boyut Ölçüleri (mm) Dimensions in (mm)			
	G	T	L1	L2	①	PN Bar
TR450-4-4	G1/4"-19	7/16"-20	32	27	14	315
TR450-4-5	G1/4"-19	1/2"-20	32	27	14	315
TR450-4-6	G1/4"-19	9/16"-18	32	27	14	315
TR450-6-6	G3/8"-19	9/16"-18	37	29	19	315
TR450-6-8	G3/8"-19	3/4"-16	37	32	24	315
TR450-8-8	G1/2"-14	3/4"-16	43	34	24	315
TR450-8-10	G1/2"-14	7/8"-14	43	37	24	315
TR450-12-12	G3/4"-14	1"1/16-12	50	42	27	315
TR450-16-16	G1"-11	1"5/16-12	52	46	36	315
TR450-20-20	G1"1/4-11	1"5/8-12	57	52	41	315

TR 451

BSP/UNF 37°

Kontralı Dirsek 45°

Adjustable Locknut Elbow 45°



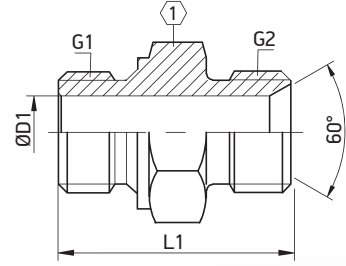
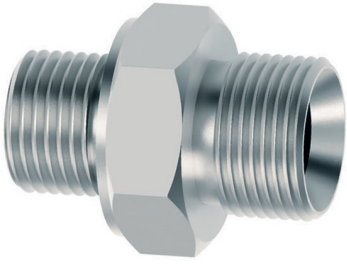
Kod No Part Number	Diş Ölçüsü Thread		Boyut Ölçüleri (mm) Dimensions in (mm)			
	G	T	L1	L2	①	PN Bar
TR451-4-4	1/4"-19	7/16"-20	21	29	17	315
TR451-4-5	1/4"-19	1/2"-20	21	29	17	315
TR451-4-6	1/4"-19	9/16"-18	21	29	14	315
TR451-6-6	3/8"-19	9/16"-18	22	33	19	315
TR451-6-8	3/8"-19	3/4"-16	25	33	19	315
TR451-8-8	1/2"-14	3/4"-16	25	39	22	315
TR451-8-10	1/2"-14	7/8"-14	28	39	22	315
TR451-16-16	1"-11	1"5/16-12	37	47	33	315
TR451-20-20	1"1/4-11	1"5/8-12	40	48	41	315

BSP/UNF 37°

TR 460

BSP/BSP 60°

Blok Ara Bağlantı Nipeli Adapter - BSP/BSP



BSP/BSP 60°

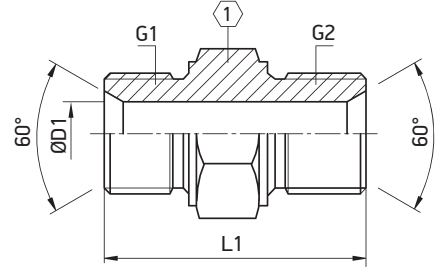
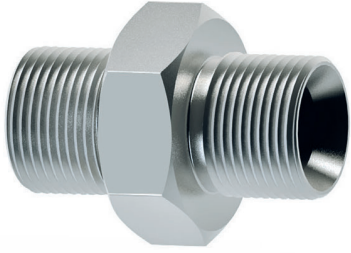
Kod No Part Number	Diş Ölçüsü Thread		Boyut Ölçüleri (mm) Dimensions in (mm)			
ID No	G1	G2	ØD1	L1	①	PN Bar
TR460-2-2	G1/8"-28	G1/8"-28	4	23	14	350
TR460-4-4	G1/4"-19	G1/4"-19	5	31	19	350
TR460-6-6	G3/8"-19	G3/8"-19	8	34	22	350
TR460-8-8	G1/2"-14	G1/2"-14	12	39	27	350
TR460-12-12	G3/4"-14	G3/4"-14	16	46	32	350
TR460-16-16	G1"-11	G1"-11	21	51	41	350
TR460-20-20	G1"1/4-11	G1"1/4-11	28	57	50	315
TR460-24-24	G1"1/2-11	G1"1/2-11	32	62.5	55	315
TR460-32-32	G2"-11	2"-11	43	71	65	315
TR460-40-40	G2"1/2-11	G2"1/2-11	54	75	80	315
TR460-48-48	G3"-11	G3"-11	68	76	95	315

TR 461

BSP 60°/BSP 60°

Hortum Ara Bağlantı Nipelleri

Adapter - BSP/BSP



Kod No Part Number	Dış Ölçüsü Thread		Boyut Ölçüleri (mm) Dimensions in (mm)			
ID No	G1	G2	Ø D1	L1	①	PN Bar
TR461-2-2	G1/8"-28	G1/8"-28	4.5	24	14	350
TR461-4-4	G1/4"-19	G1/4"-19	5	30	19	350
TR461-6-6	G3/8"-19	G3/8"-19	8	35	22	350
TR461-8-8	G1/2"-14	G1/2"-14	12	41	27	350
TR461-12-12	G3/4"-14	G3/4"-14	16	48	32	350
TR461-16-16	G1"-11	G1"-11	21	52	41	350
TR461-20-20	G1"1/4-11	G1"1/4-11	28	58	50	315
TR461-24-24	G1"1/2-11	G1"1/2-11	32	63	55	315
TR461-32-32	G2"-11	G2"-11	43	72	65	315

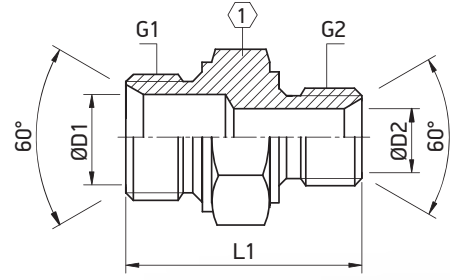
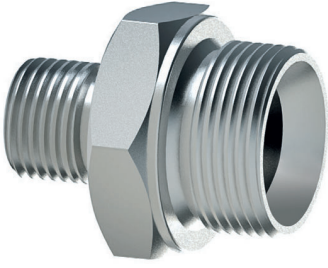
BSP 60°/BSP 60°

TR 462

BSP 60°/BSP 60°

Orantılı Nipeller

Adapter - BSP/BSP



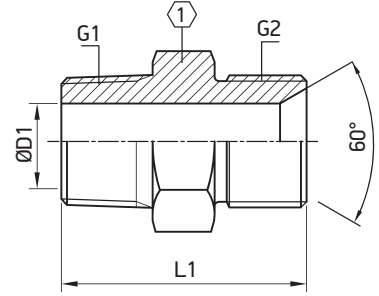
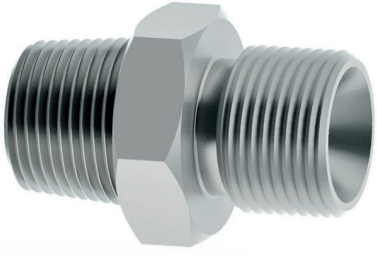
BSP 60°/BSP 60°

Kod No Part Number	Diş Ölçüsü Thread		Boyut Ölçüleri (mm) Dimensions in (mm)				
	G1	G2	Ø D1	Ø D2	L1	①	PN Bar
TR462-4-2	G1/4"-19	G1/8"-28	5	4	28	19	350
TR462-6-4	G3/8"-19	G1/4"-19	8	5	34	22	350
TR462-8-4	G1/2"-14	G1/4"-19	11	5	37	27	350
TR462-8-6	G1/2"-14	G3/8"-19	11	8	39	27	350
TR462-12-6	G3/4"-14	G3/8"-19	17	8	41	32	350
TR462-12-8	G3/4"-14	G1/2"-14	17	11	44	32	315
TR462-16-8	G1"-11	G1/2"-14	21	11	49	41	315
TR462-20-12	G1"1/4-11	G3/4"-14	28	17	54	50	315
TR462-20-16	G1"1/4-11	G1"-11	28	22	57	50	315
TR462-24-16	G1"1/2-11	G1"-11	33	22	60	55	315
TR462-24-20	G1"1/2-11	G1"1/4-11	33	29	60	55	315
TR462-32-24	G2"-11	G1"1/2-11	46	33	68	70	315

TR 463

NPT/BSP 60°

Ara Bağlantı Nipeller Adapter - NPT/BSP 60°



Kod No Part Number	Diş Ölçüsü Thread		Boyut Ölçüleri (mm) Dimensions in (mm)			
ID No	G1	G2	Ø D1	L1	①	PN Bar
TR463-2-2	G1/8"-28	G1/8"-28	4	25	14	350
TR463-4-4	G1/4"-18	G1/4"-19	5	32	14	350
TR463-6-6	G3/8"-19	G3/8"-19	8	35	19	350
TR463-8-8	G1/2"-14	G1/2"-14	11	42	27	350
TR463-12-12	G3/4"-14	G3/4"-14	16	47	32	350
TR463-16-16	G1"-11	G1"-11	20	56	36	350
TR463-20-20	G1"1/4-11	G1"1/4-11	28	59.5	46	315
TR463-24-24	G1"1/2-11	G1"1/2-11	32	64	50	315
TR463-32-32	G2"-11	G2"-11	43	70	65	315

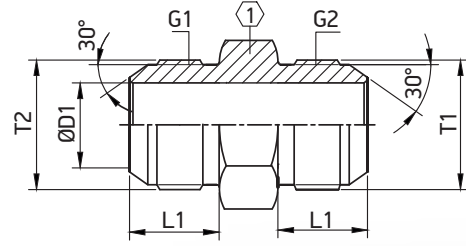
NPT/BSP 60°

TR 464

BSP Bombeli 60°

Ara Bağlantı Nipelı BSP Bombeli Dışa Havşa 30°

Adapters - BSP/BSP



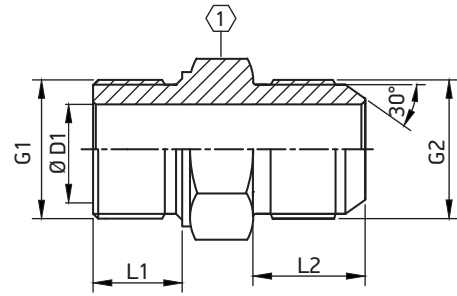
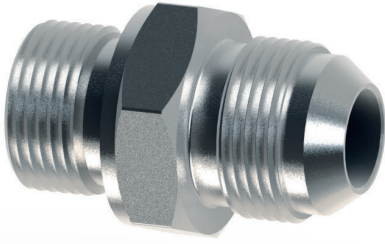
Kod No Part Number	Diş Ölçüsü Thread		Boyut Ölçüleri (mm) Dimensions in (mm)			
ID No	G1	G2	Ø D1	L1	①	PN Bar
TR464-2-2	1/8"-28	1/8"-28	4	14	12	350
TR464-4-4	1/4"-19	1/4"-19	5	14	14	350
TR464-6-6	3/8"-19	3/8"-19	8	16	17	350
TR464-8-8	1/2"-14	1/2"-14	10	17	22	350
TR464-12-12	3/4"-14	3/4"-14	16	22	27	350
TR464-16-16	1"-11	1"-11	21	23	36	350

BSP Bombeli

TR 464-1

BSP/BSP 60°

Blok Ara Bağlantı Nipel DH 60° Adapter - BSP/BSP 60°

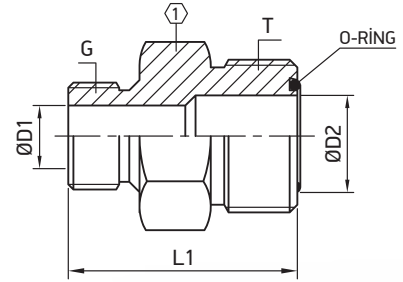
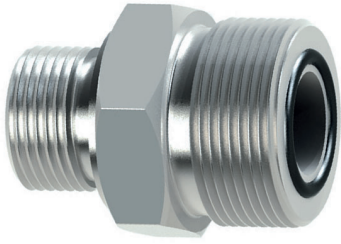


Kod No Part Number	Diş Ölçüsü Thread		Boyut Ölçüleri (mm) Dimensions in (mm)				
ID No	G1	G2	Ø D1	L1	L2	①	PN Bar
TR464-1-2-2	1/8"-28	1/8"-28	4	8	14	14	420
TR464-1-4-4	1/4"-19	1/4"-19	5	12	14	19	420
TR464-1-6-6	3/8"-19	3/8"-19	8	12	16	22	420
TR464-1-8-8	1/2"-14	1/2"-14	10	14	17	27	420
TR464-1-12-12	3/4"-14	3/4"-14	15.5	16	22	32	350
TR464-1-16-16	1"-11	1"-11	21	18	23	41	350

BSP/BSP 60°

ORFS Nipeller

Adapter - BSP/ORFS



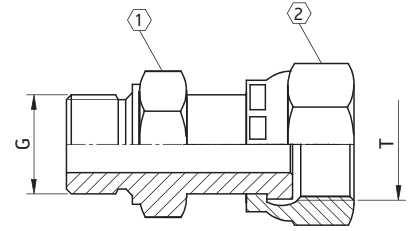
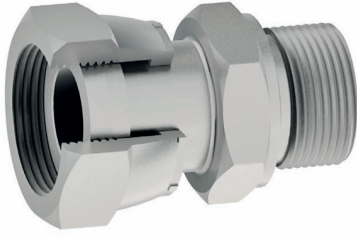
Kod No Part Number	Diş Ölçüsü Thread		Boyut Ölçüleri (mm) Dimensions in (mm)					
	G	T	Ø D1	Ø D2	L1	①	O-RING	PN Bar
TR465-4-6	G1/4"-19	9/16"-18	5	5	31	19	7.6x1.78	630
TR465-4-10	G1/4"-19	11/16"-16	5	7	32	19	9.2x1.78	630
TR465-6-6	G3/8"-19	9/16"-18	5	5	32	22	7.6x1.78	630
TR465-6-10	G3/8"-19	11/16"-16	7	7	33	22	9.2x1.78	630
TR465-6-12	G3/8"-19	13/16"-16	8	10	35	22	12.4x1.78	630
TR465-8-10	G1/2"-14	11/16"-16	7	7	37	27	9.2x1.78	420
TR465-8-12	G1/2"-14	13/16"-16	10	10	38	27	12.4x1.78	420
TR465-8-16	G1/2"-14	1"-14	13	13	41	27	15.6x1.78	420
TR465-8-20	G1/2"-14	1"3/16-12	12	16	49	32	18.7x1.78	420
TR465-12-16	G3/4"-14	1"-14	13	13	45	32	15.6x1.78	420
TR465-12-20	G3/4"-14	1"3/16-12	16	16	46	32	18.7x1.78	420
TR465-12-25	G3/4"-14	1"7/16-12	16	21	52	41	23.7x1.78	420
TR465-16-20	G1"-11	1"3/16-12	16	16	49	41	18.7x1.78	420
TR465-16-25	G1"-11	1"7/16-12	20	21	50	41	23.5x1.78	420
TR465-16-32	G1"-11	1"11/16-12	20	26	57	46	33x1.78	420
TR465-20-25	G1"1/4-11	1"7/16-12	21	21	54	50	23.5x1.78	420
TR465-20-32	G1"1/4-11	1"11/16-12	25	25	54	50	33x1.78	420

TR 466

BSP/ORFS

BSP/ORFS Ters Nipeller

Adapter - BSP/ORFS



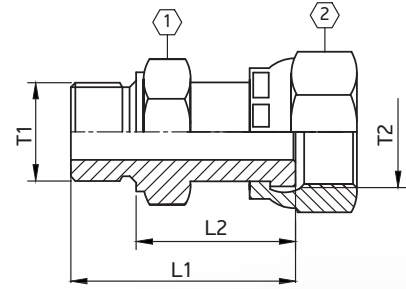
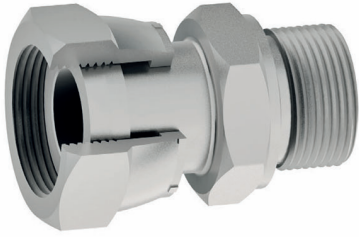
Kod No Part Number	Diş Ölçüsü Thread	Somun Nut	Boyut Ölçüleri (mm) Dimensions in (mm)	
ID No	G	T	①	②
TR466-4-6	1/4"-19	9/16"-18	19	19
TR466-4-10	1/4"-19	11/16"-16	22	19
TR466-6-10	3/8"-19	11/16"-16	22	22
TR466-6-12	3/8"-19	13/16"-16	24	22
TR466-8-12	1/2"-14	13/16"-16	24	27
TR466-8-16	1/2"-14	1"-14	30	27
TR466-12-20	3/4"-14	1"3/16-12	36	32
TR466-12-25	3/4"-14	1"7/16-12	41	32
TR466-16-25	1"-11	1"7/16-12	41	41
TR466-20-32	1"1/4-11	1"11/16-12	50	50

BSP/ORFS

TR 466-1

UNF/ORFS

UNF-ORFS Ters Rakor Adapter - UNF/ORFS



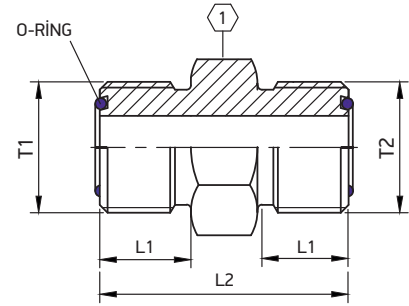
Kod No Part Number	Diş Ölçüsü Thread		Boyut Ölçüleri (mm) Dimensions in (mm)				
	T1	T2	L1	L2	①	②	PN Bar
TR466-1-6-6	9/16"-18	9/16"-18	36	24	19	19	420
TR466-1-6-10	9/16"-18	11/16"-16	39	27	19	22	420
TR466-1-8-10	3/4"-16	11/16"-16	41	27	24	22	420
TR466-1-8-12	3/4"-16	13/16"-16	44.5	30.5	24	24	420
TR466-1-8-16	3/4"-16	1"-14	48.5	34.5	24	30	420
TR466-1-10-12	7/8"-14	13/16"-16	47.5	31.5	27	24	420
TR466-1-10-16	7/8"-14	1"-14	51.5	35.5	27	30	420
TR466-1-10-20	7/8"-14	1"3/16-12	53	37	32	36	420
TR466-1-12-16	1"1/16-12	1"-14	57	38	32	30	420
TR466-1-12-20	1"1/16-12	1"3/16-12	58	39	32	36	420
TR466-1-16-20	1"5/16-12	1"3/16-12	59	40	41	36	420
TR466-1-16-25	1"5/16-12	1"7/16-12	59	44	41	41	350
TR466-1-16-32	1"5/16-12	1"11/16-12	62.5	43.5	41	50	350
TR466-1-20-25	1"5/8-12	1"7/16-12	61.5	43.5	50	41	350

UNF/ORFS

TR 467

ORFS

ORFS Hortum Ara Nipelini Adapter - ORFS/ORFS

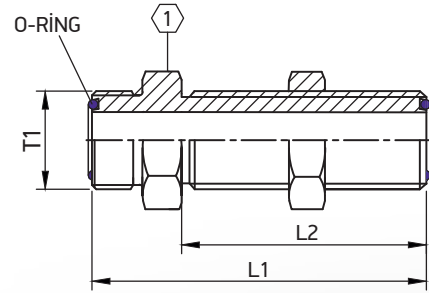
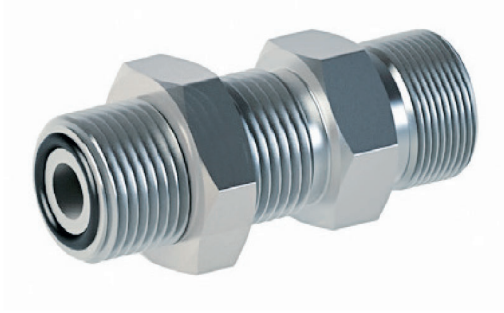


Kod No Part Number	Diş Ölçüsü Thread		Boyut Ölçüleri (mm) Dimensions in (mm)			
ID No	T1	T2	L1	L2	⊙	PN Bar
TR467-6	9/16"-18	9/16"-18	11	27	17	630
TR467-10	11/16"-16	11/16"-16	11	31	19	630
TR467-12	13/16"-16	13/16"-16	14	35	22	630
TR467-16	1"-14	1"-14	16	43	27	420
TR467-20	1"3/16-12	1"3/16-12	17	47	32	420
TR467-25	1"7/16-12	1"7/16-12	18	49	38	420
TR467-32	1"11/16-12	1"11/16-12	19	51	46	420

ORFS

ORFS Perde Geçiş Nipeli

Bulkhead Connection - ORFS

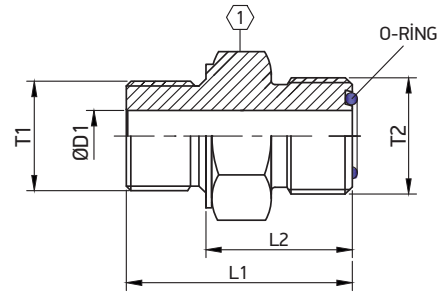
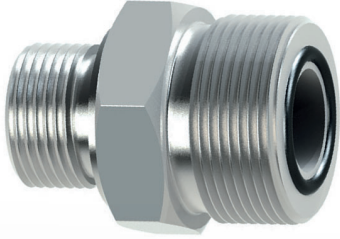


Kod No Part Number	Diş Ölçüsü Thread	Boyut Ölçüleri (mm) Dimensions in (mm)			
ID No	T1	L1	L2	①	PN Bar
TR468-6	9/16"-18	49	30	22	630
TR468-10	11/16"-16	52	34	27	630
TR468-12	13/16"-16	58	37	30	630
TR468-16	1"-14	67	41	32	420
TR468-20	1"3/16-12	69	40	38	420
TR468-25	1"7/16-12	70	42	46	420
TR468-32	1"11/16-12	72	40	50	420

TR 469

UNF/ORFS

Blok Bağlantı UNF-ORFS Nipel Adapter - ORFS/ORFS



Kod No Part Number	Diş Ölçüsü Thread		Boyut Ölçüleri (mm) Dimensions in (mm)				
ID No	T1	T2	Ø D1	L1	L2	①	PN Bar
TR469-4-6	7/16"-20	9/16"-18	4	31	20	17	630
TR469-6-6	9/16"-18	9/16"-18	4	31	19	19	630
TR469-6-10	9/16"-18	11/16"-18	6.5	32	20	19	630
TR469-8-10	3/4"-16	11/16"-18	6.5	35	21	27	630
TR469-8-16	3/4"-16	1"-14	10	45	31	27	630
TR469-10-16	7/8"-14	1"-14	12	43	27	27	630
TR469-10-20	7/8"-14	1"3/16-12	13	47	33	32	630
TR469-12-16	1"1/16-12	1"-14	12	47	29	32	420
TR469-12-20	1"1/16-12	1"3/16-12	15	46	30	32	420
TR469-16-20	1"5/16-12	1"3/16-12	15	19	31	41	420
TR469-16-25	1"5/16-12	1"7/16-12	20	50	32	41	420
TR469-20-25	1"5/8-12	1"7/16-12	20	51	33	50	420
TR469-20-32	1"5/8-12	1"11/16-12	26	51	33	50	420

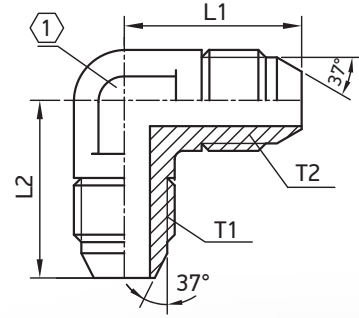
UNF/ORFS

TR 470

UNF 37°

UNF Dirsek

Elbow - UNF



UNF 37°

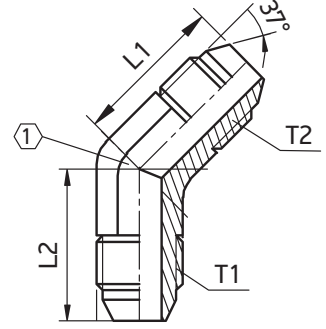
Kod No Part Number	Diş Ölçüsü Thread		Boyut Ölçüleri (mm) Dimensions in (mm)			
	T1	T2	L1	L2	①	PN Bar
TR470-4-4	7/16"-20	7/16"-20	23	23	12	350
TR470-5-5	1/2"-20	1/2"-20	24	24	14	350
TR470-6-6	9/16"-18	9/16"-18	27	27	17	350
TR470-7-7	5/8"-18	5/8"-18	29	29	17	350
TR470-8-8	3/4"-16	3/4"-16	32	32	19	350
TR470-10-10	7/8"-14	7/8"-14	37	37	19	350
TR470-12-12	1"1/16-12	1"1/16-12	42	42	27	350
TR470-16-16	1"5/16-12	1"5/16-12	46	46	36	350
TR470-20-20	1"5/8-12	1"5/8-12	52	52	41	350
TR470-24-24	1"7/8-12	1"7/8-12	59	59	50	350

TR 471

UNF 37°

UNF Dirsek 45°

Male 45° Adapters - UNF/UNF



Kod No Part Number	Diş Ölçüsü Thread		Boyut Ölçüleri (mm) Dimensions in (mm)			
ID No	T1	T2	L1	L2	①	PN Bar
TR471-4-4	7/16"-20	7/16"-20	18	18	17	350
TR471-5-5	1/2"-20	1/2"-20	20	20	17	350
TR471-6-6	9/16"-18	9/16"-18	21	21	17	350
TR471-7-7	5/8"-18	5/8"-18	23	23	17	350
TR471-8-8	3/4"-16	3/4"-16	25	25	19	350
TR471-10-10	7/8"-14	7/8"-14	28	28	24	350
TR471-12-12	1"1/16-12	1"1/16-12	33	33	27	350
TR471-16-16	1"5/16-12	1"5/16-12	37	37	36	315
TR471-20-20	1"5/8-12	1"5/8-12	40	40	41	315
TR471-24-24	1"7/8-12	1"7/8-12	45	45	50	315

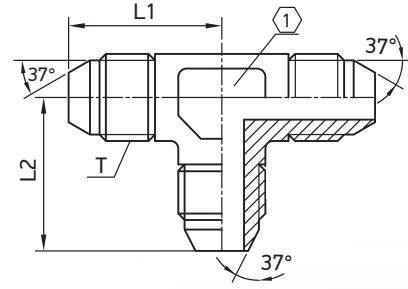
UNF 37°

TR 480

UNF 37°

UNF T Rakor

Equal Tee Adapters



Kod No Part Number	Diş Ölçüsü Thread	Boyut Ölçüleri (mm) Dimensions in (mm)			
ID No	T	L1	L2	①	PN Bar
TR480-4	7/16"-20	23	23	12	420
TR480-5	1/2"-20	24	24	14	420
TR480-6	9/16"-18	27	27	17	420
TR480-7	5/8"-18	29	29	17	420
TR480-8	3/4"-16	32	32	19	420
TR480-10	7/8"-14	37	37	24	350
TR480-12	1"1/16-12	42	42	27	350
TR480-16	1"5/16-12	46	46	36	315
TR480-20	1"5/8-12	52	52	41	315
TR480-24	1"7/8-12	59	59	50	315

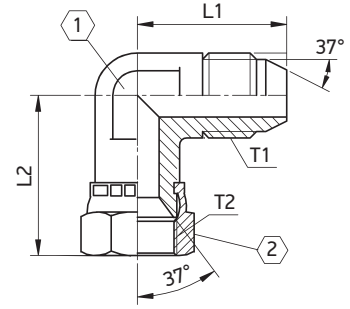
UNF 37°

TR 490

UNF 37°

UNF Ters Dirsek

90° Adapter with Swivel Nut



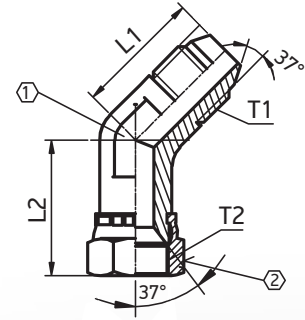
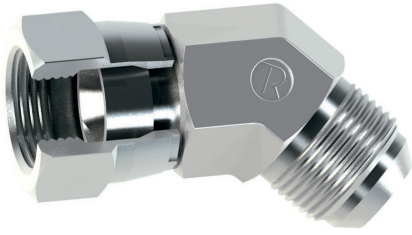
Kod No Part Number	Diş Ölçüsü Thread		Boyut Ölçüleri (mm) Dimensions in (mm)				
ID No	T1	T2	L1	L2	①	②	PN Bar
TR490-4-4	7/16"-20	7/16"-20	23	25	12	14	420
TR490-5-5	1/2"-20	1/2"-20	24	27	14	17	420
TR490-6-6	9/16"-18	9/16"-18	27	32	17	19	350
TR490-7-7	5/8"-18	5/8"-18	29	32	17	22	350
TR490-8-8	3/4"-16	3/4"-16	32	35	19	24	350
TR490-10-10	7/8"-14	7/8"-14	37	41	24	27	350
TR490-12-12	1"1/16-12	1"1/16-12	42	44	27	32	350
TR490-16-16	1"5/16-12	1"5/16-12	46	51	36	41	315
TR490-20-20	1"5/8-12	1"5/8-12	52	59	41	50	315

UNF 37°

TR 491

UNF 37°

UNF 45° Ters Dirsek 45° Adapter with Swivel Nut



Kod No Part Number	Diş Ölçüsü Thread		Boyut Ölçüleri (mm) Dimensions in (mm)				
	T1	T2	L1	L2	①	②	PN Bar
TR491-4-4	7/16"-20	7/16"-20	18	24	14	17	420
TR491-5-5	1/2"-20	1/2"-20	20	25	14	17	420
TR491-6-6	9/16"-18	9/16"-18	21	28	17	19	350
TR491-7-7	5/8"-18	5/8"-18	25	33	17	22	350
TR491-8-8	3/4"-16	3/4"-16	25	33	19	24	350
TR491-10-10	7/8"-14	7/8"-14	28	37	22	27	350
TR491-12-12	1"1/16-12	1"1/16-12	33	38	27	32	350
TR491-16-16	1"5/16-12	1"5/16-12	37	44	36	41	315
TR491-20-20	1"5/8-12	1"5/8-12	40	52	41	50	315

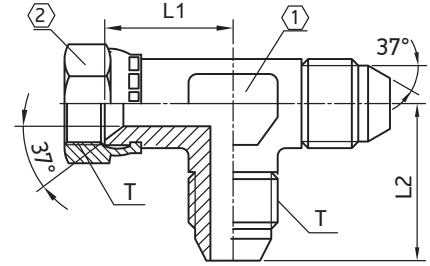
UNF 37°

TR 500

UNF 37°

UNF Yan Bacak T

Barrel Tee Adapter with Swivel Nut



Kod No Part Number	Diş Ölçüsü Thread	Boyut Ölçüleri (mm) Dimensions in (mm)				
ID No	T	L1	L2	①	②	PN Bar
TR500-4	7/16"-20	17	23	12	14	350
TR500-5	1/2"-20	17	24	14	17	350
TR500-6	9/16"-18	22	27	17	19	350
TR500-7	5/8"-18	24	29	17	22	350
TR500-8	3/4"-16	24	32	19	24	350
TR500-10	7/8"-14	28	37	24	27	350
TR500-12	1"1/16-12	30	42	27	32	350
TR500-16	1"5/16-12	36	46	36	41	350
TR500-20	1"5/8-12	43	52	41	50	350

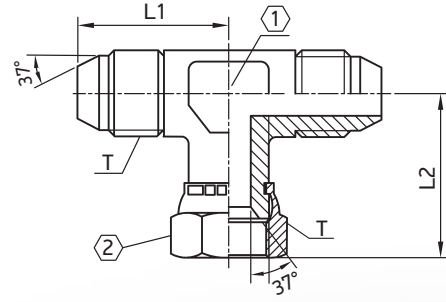
UNF 37°

TR 510

UNF 37°

UNF Orta Bacak T

Branch Tee Adapter with Swivel Nut



Kod No Part Number	Diş Ölçüsü Thread	Boyut Ölçüleri (mm) Dimensions in (mm)				
ID No	T	L1	L2	①	②	PN Bar
TR510-4	7/16"-20	23	25	12	14	420
TR510-5	1/2"-20	24	27	14	17	420
TR510-6	9/16"-18	27	32	17	19	420
TR510-7	5/8"-18	27	32	17	22	420
TR510-8	3/4"-16	32	35	24	19	420
TR510-10	7/8"-14	37	41	24	27	420
TR510-12	1"1/16-12	38.5	44	27	32	420
TR510-16	1"5/16-12	46	51	36	41	350
TR510-20	1"5/8-12	52	59	41	50	350

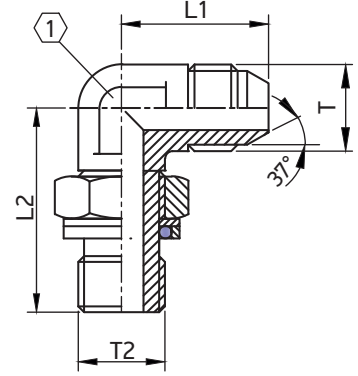
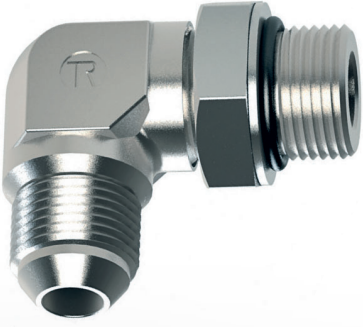
UNF 37°

TR 520

UNF 37°

UNF Kontralı Dirsek

90° Adapter with Swivel Nut UNF/UNF



Kod No Part Number	Diş Ölçüsü Thread		Boyut Ölçüleri (mm) Dimensions in (mm)			
ID No	T1	T2	L1	L2	①	PN Bar
TR520-4-4	7/16"-20	7/16"-20	23	26	14	420
TR520-5-5	1/2"-20	1/2"-20	24	29	14	420
TR520-6-6	9/16"-18	9/16"-18	27	32	17	420
TR520-7-7	5/8"-18	5/8"-18	27	32	17	420
TR520-8-8	3/4"-16	3/4"-16	32	40	19	420
TR520-10-10	7/8"-14	7/8"-14	37	43	24	350
TR520-12-12	1"1/16-12	1"1/16-12	42	49	32	350
TR520-16-16	1"5/16-12	1"5/16-12	46	52	36	350
TR520-20-20	1"5/8-12	1"5/8-12	52	57	41	350

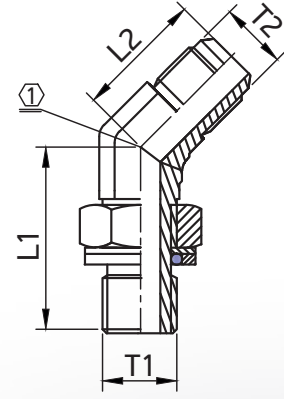
UNF 37°

TR 521

UNF 37°

UNF Kontralı Dirsek

45° Adapter with Swivel Nut UNF/UNF



Kod No Part Number	Diş Ölçüsü Thread		Boyut Ölçüleri (mm) Dimensions in (mm)			
	T1	T2	L1	L2	①	PN Bar
TR521-4-4	7/16"-20	7/16"-20	27	18	17	420
TR521-5-5	1/2"-20	1/2"-20	27	20	17	420
TR521-6-6	9/16"-18	9/16"-18	29	21	17	420
TR521-8-8	3/4"-16	3/4"-16	33	25	22	420
TR521-10-10	7/8"-14	7/8"-14	39	28	22	350
TR521-12-12	1"1/16-12	1"1/16-12	44	33	27	350
TR521-16-16	1"5/16-12	1"5/16-12	47	37	32	350
TR521-20-20	1"5/8-12	1"5/8-12	49	40	41	350

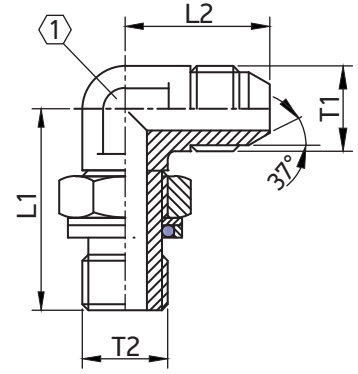
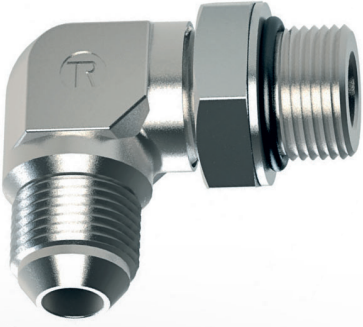
UNF 37°

TR 522

Metrik - UNF 37°

Metrik - UNF Kontralı Dirsek 90°

90° Adapter with Swivel Nut Metric/UNF



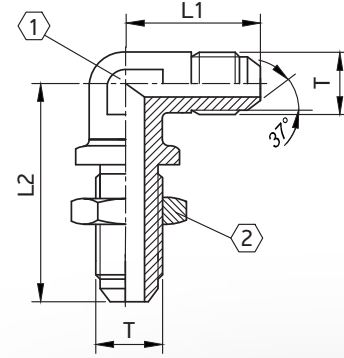
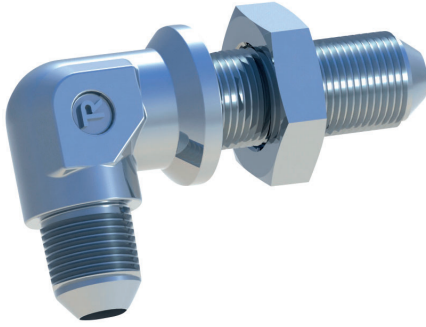
Kod No Part Number	Diş Ölçüsü Thread		Boyut Ölçüleri (mm) Dimensions in (mm)			
ID No	T1	T2	L1	L2	①	PN Bar
TR522-5-6	1/2"-20	M12x1.5	24	31	14	420
TR522-6-8	9/16"-18	M14x1.5	27	34	17	420
TR522-6-10	9/16"-18	M16x1.5	29	38	19	350
TR522-8-10	3/4"-16	M16x1.5	32	38	19	350
TR522-8-12	3/4"-16	M18x1.5	32	38	19	350
TR522-10-12	7/8"-14	M18x1.5	37	42	24	350
TR522-10-15	7/8"-14	M22x1.5	37	43	24	350
TR522-12-15	1"1/16-12	M22x1.5	42	45	27	350
TR522-16-24	1"5/16-12	M33x2	46	53	36	350
TR522-20-30	1"5/8-12	M42x2	52	58	41	350

Metrik - UNF 37°

TR 523

UNF - UNF 37°

UNF Perde Geçiş Dirseği Bulkhead Elbow/UNF



Kod No Part Number	Diş Ölçüsü Thread	Boyut Ölçüleri (mm) Dimensions in (mm)				
ID No	T	L1	L2	①	②	PN Bar
TR523-4	7/16"-20	25	40	12	17	420
TR523-5	1/2"-20	27	44	12	17	420
TR523-6	9/16"-18	30	46	12	22	420
TR523-8	3/4"-16	32	50	24	27	350
TR523-10	7/8"-14	36	54	24	27	350
TR523-12	1"1/16-12	45	68	27	32	350
TR523-16	1"5/16-12	49	71	36	41	350
TR523-20	1"5/8-12	55	80	41	50	350

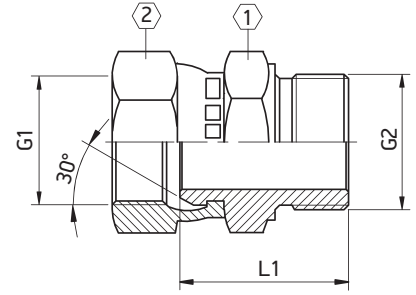
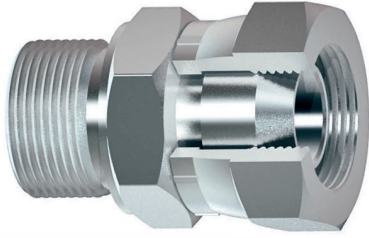
UNF - UNF 37°

TR 530

BSP/60°/BSP

BSP Ters Rakor

Straight Adapter with Swivel Nut



Kod No Part Number	Diş Ölçüsü Thread		Boyut Ölçüleri (mm) Dimensions in (mm)			
ID No	G1	G2	L1	①	②	PN Bar
TR530-2-2	G1/8"-28	G1/8"-28	26	14	14	350
TR530-4-4	G1/4"-19	G1/4"-19	31	19	19	350
TR530-6-6	G3/8"-19	G3/8"-19	33.5	22	22	350
TR530-8-8	G1/2"-14	G1/2"-14	39.5	27	27	350
TR530-12-12	G3/4"-14	G3/4"-14	44.5	32	32	350
TR530-16-16	G1"-11	G1"-11	49	41	41	350
TR530-20-20	G1"1/4-11	G1"1/4-11	54.5	50	50	315
TR530-24-24	G1"1/2-11	G1"1/2-11	59	55	55	315
TR530-32-32	G2"-11	G2"-11	62	65	70	315

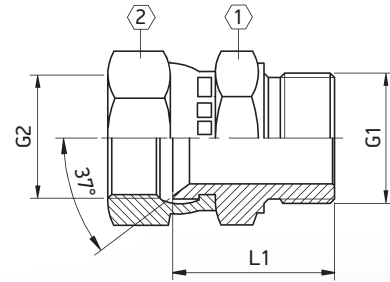
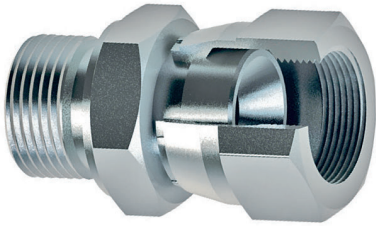
BSP/60°/BSP

TR 531

BSP/UNF

BSP-UNF Ters Rakor

Straight Adapter with Swivel Nut



Kod No Part Number	Diş Ölçüsü Thread		Boyut Ölçüleri (mm) Dimensions in (mm)			
	G1	G2	L1	①	②	PN Bar
TR531-4-6	G1/4"-14	9/16"-18	30	19	19	350
TR531-6-6	G3/8"-19	9/16"-18	31	19	22	350
TR531-6-7	G3/8"-19	5/8"-18	31.5	22	22	350
TR531-6-8	G3/8"-19	3/4"-16	31.5	24	22	350
TR531-8-8	G1/2"-14	3/4"-16	35	24	27	350
TR531-8-10	G1/2"-14	7/8"-14	36.5	27	27	350
TR531-12-12	G3/4"-14	1"1/16-12	40.5	32	32	350
TR531-12-16	G3/4"-14	1"5/16-12	42.5	41	36	350
TR531-16-16	G1"-11	1"5/16-12	47	41	41	315
TR531-20-20	G1"1/4-11	1"5/8-12	52.5	50	50	315
TR531-24-24	G1"1/2-11	1"7/8-12	53.5	55	55	315

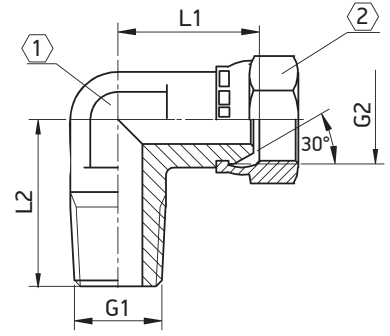
BSP/UNF

TR 540

NPT/BSP 60°

Ters Dirsek

Elbow with Swivel Nut



Kod No Part Number	Diş Ölçüsü Thread		Boyut Ölçüleri (mm) Dimensions in (mm)				
	G1	G2	L1	L2	①	②	PN Bar
TR540-2	G1/8"-28	G1/8"-28	18	20	12	14	350
TR540-4	G1/4"-18	G1/4"-19	19	28	14	19	350
TR540-6	G3/8"-18	G3/8"-19	25	31	17	22	350
TR540-8	G1/2"-14	G1/2"-14	28	37	24	27	350
TR540-12	G3/4"-14	G3/4"-14	33	40	27	32	350
TR540-16	G1"-11	G1"-11	39	50	36	41	315
TR540-20	G1"1/4-11	G1"1/4-11	41	61	41	50	315
TR540-24	G1"1/2-11	G1"1/2-11	48	67	50	55	315

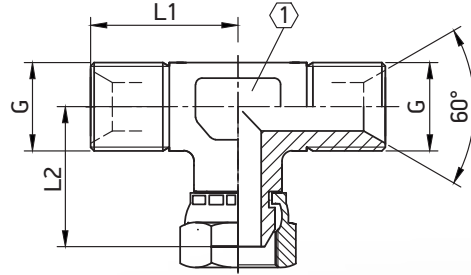
NPT/BSP 60°

TR 541

BSP/BSP 60°

BSP-Orta Bacak T Rakor 60°

Branche Tee with Swivel Nut



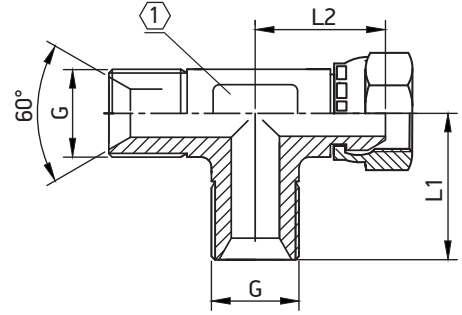
Kod No Part Number	Diş Ölçüsü Thread	Boyut Ölçüleri (mm) Dimensions in (mm)			
ID No	G	L1	L2	①	PN Bar
TR541-2	1/8"-28	17	18	12	350
TR541-4	1/4"-19	24	25	14	350
TR541-6	3/8"-19	27	26	17	350
TR541-8	1/2"-14	32	32	24	350
TR541-12	3/4"-14	36	33	27	350
TR541-16	1"-11	42	38	36	315
TR541-20	1"1/4-11	48	48	41	315
TR541-24	1"1/2-11	54	50	50	315

BSP/BSP 60°

TR 542

BSP/BSP 60°

BSP-Yan Bacak T Rakor 60° Barrel Tee Adapter with Swivel Nut



Kod No Part Number	Diş Ölçüsü Thread	Boyut Ölçüleri (mm) Dimensions in (mm)			
ID No	G	L1	L2	①	PN Bar
TR542-2	1/8"-28	17	18	12	350
TR542-4	1/4"-19	24	25	14	350
TR542-6	3/8"-19	27	26	17	350
TR542-8	1/2"-14	32	32	24	350
TR542-12	3/4"-14	36	33	27	350
TR542-16	1"-11	42	38	36	315
TR542-20	1"1/4-11	48	48	41	315
TR542-24	1"1/2-11	54	50	50	315

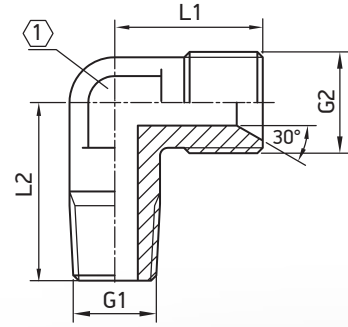
BSP/BSP 60°

TR 550

NPT/BSP 60°

Dişli Dirsek

Elbow NPT / BSP



Kod No Part Number	Diş Ölçüsü Thread		Boyut Ölçüleri (mm) Dimensions in (mm)			
	G1	G2	L1	L2	①	PN Bar
TR550-2-2	G1/8"-28	G1/8"-28	17	20	12	350
TR550-4-4	G1/4"-19	G1/4"-19	24	28	14	350
TR550-6-6	G3/8"-19	G3/8"-19	27	31	17	350
TR550-8-8	G1/2"-14	G1/2"-14	32	34	24	350
TR550-12-12	G3/4"-14	G3/4"-14	37	42	27	350
TR550-16-16	G1"-11	G1"-11	42	50	36	315
TR550-20-20	G1"1/4-11	G1"1/4-11	48	54	41	315
TR550-24-24	G1"1/2-11	G1"1/2-11	54	61	50	315

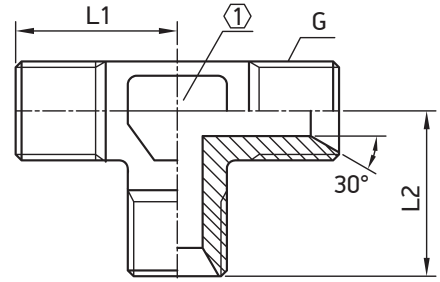
NPT/BSP 60°

TR 570

BSP 60°

T Rakor - BSP

Tee - BSP



Kod No Part Number	Diş Ölçüsü Thread	Boyut Ölçüleri (mm) Dimensions in (mm)			
ID No	G	L1	L2	①	PN Bar
TR570-2	G1/8"-28	17	17	12	350
TR570-4	G1/4"-19	24	24	14	350
TR570-6	G3/8"-19	27	27	17	350
TR570-8	G1/2"-14	32	32	24	350
TR570-12	G3/4"-11	36	36	27	350
TR570-16	G1"-11	42	42	36	315
TR570-20	G1 1/4"-11	48	48	41	315
TR570-24	G1 1/2"-11	54	54	50	315

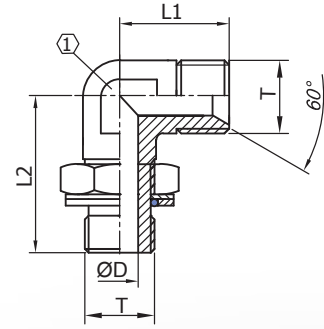
BSP 60°

TR 571

BSP/BSP

BSP Kontralı Dirsek

Elbow with Swivel Nut - BSP/BSP



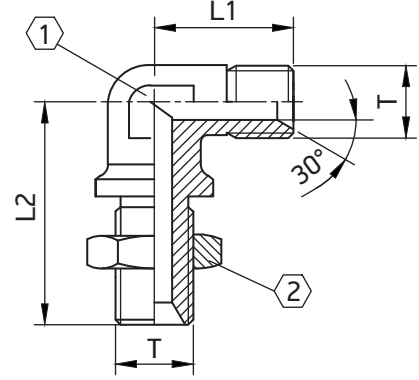
Kod No Part Number	Diş Ölçüsü Thread	Boyut Ölçüleri (mm) Dimensions in (mm)				
ID No	T	L1	L2	Ø D	①	PN Bar
TR571-2	1/8"-28	26	21	4	12	420
TR571-4	1/4"-19	24	32	5	14	420
TR571-6	3/8"-19	28.5	33	8	19	420
TR571-8	1/2"-14	32.5	42	11	24	420
TR571-12	3/4"-14	42	50	16	27	420
TR571-16	1"-11	42	50	22	36	315
TR571-20	1"1/4-11	51	59	27	50	315
TR571-24	1"1/2-11	59	63	32	50	315

BSP/BSP

TR 572

BSP-60°

BSP Perde Geçiş Dirseği Bulkhead Elbow - BSP



Kod No Part Number	Diş Ölçüsü Thread	Boyut Ölçüleri (mm) Dimensions in (mm)				
ID No	T	L1	L2	①	②	PN Bar
TR572-2	1/8-28	20	37	12	17	420
TR572-4	1/4-19	26	44	12	19	420
TR572-6	3/8-19	30	49	17	24	420
TR572-8	1/2-14	35	55	24	27	350
TR572-10	5/8-14	38	59	24	30	350
TR572-12	3/4-14	42	63	27	32	350
TR572-16	1-11	47	69	36	41	350
TR572-20	1 1/4-11	52	77	50	50	350
TR572-24	1 1/2-11	60	87	50	55	350

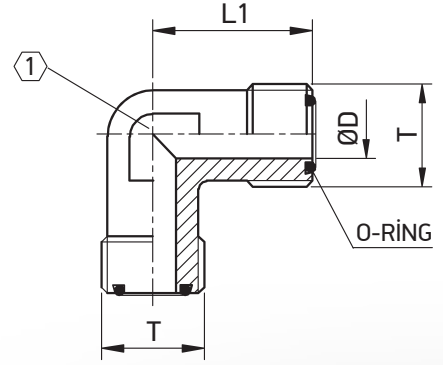
BSP-60°

TR 573

ORFS

ORFS Dirsek

Elbow - ORFS



ORFS

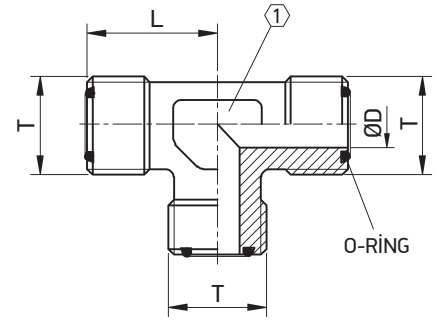
Kod No Part Number	Diş Ölçüsü Thread	Boyut Ölçüleri (mm) Dimensions in (mm)			
ID No	T	L	Ø D	①	PN Bar
TR573-6	9/16"-18	22	4	14	630
TR573-10	11/16"-16	25	6.5	17	630
TR573-12	13/16"-16	28	9	19	630
TR573-16	1"-14	33	12	27	420
TR573-20	1 3/16-12	37	15	27	420
TR573-25	1 7/16-12	42	20	36	420
TR573-32	1 11/16-12	45	26	41	420

TR 574

ORFS

T Rakor - ORFS

Tee - ORFS



Kod No Part Number	Diş Ölçüsü Thread	Boyut Ölçüleri (mm) Dimensions in (mm)			
ID No	T	L	Ø D	①	PN Bar
TR574-6	9/16"-18	22	4	14	630
TR574-10	11/16"-16	25	6.5	17	630
TR574-12	13/16"-16	28	9	19	630
TR574-16	1"-14	33	12.5	27	420
TR574-20	1"3/16 -12	37	15	27	420
TR574-25	1"7/16-12	42	20	36	420
TR574-32	1"11/16-12	45	25	41	350

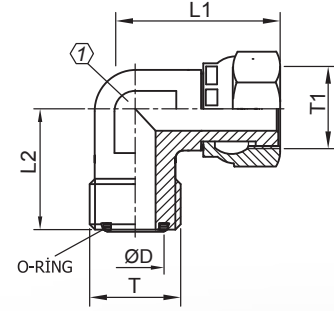
ORFS

TR 575

ORFS

ORFS Ters Dirsek

Elbow with Swivel Nut ORFS



ORFS

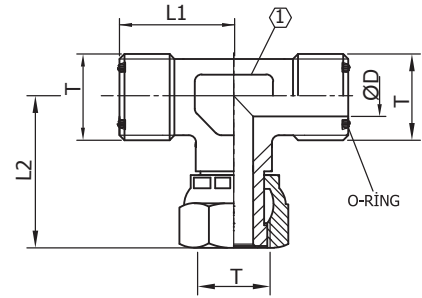
Kod No Part Number	Diş Ölçüsü Thread	Boyut Ölçüleri (mm) Dimensions in (mm)				
ID No	T	L1	L2	Ø D	⑦	PN Bar
TR575-6	9/16"-18	22	26	4	14	420
TR575-10	11/16"-18	25	29	6.5	17	420
TR575-12	13/16"-16	28	38	9.5	19	420
TR575-16	1"-14	33	41	12	27	420
TR575-20	1"3/16 -12	37	46	15	27	420
TR575-25	1"7/16-12	42	53	20	36	420
TR575-32	1"11/16-12	45	58	26	41	420

TR 576

ORFS

ORFS Orta Bacak T

Brance Tee Adapter with Swivel Nut



Kod No Part Number	Diş Ölçüsü Thread	Boyut Ölçüleri (mm) Dimensions in (mm)				
ID No	T	L1	L2	Ø D	①	PN Bar
TR576-6	9/16"-18	22	26	4	14	420
TR576-10	11/16"-16	25	29	6.5	17	420
TR576-12	13/16"-16	28	38	9.5	19	420
TR576-16	1"-14	33	41	12	27	420
TR576-20	1"3/16 -12	37	46	15	30	420
TR576-25	1"7/16-12	42	53	20	36	420
TR576-32	1"11/16-12	45	58	26	41	420

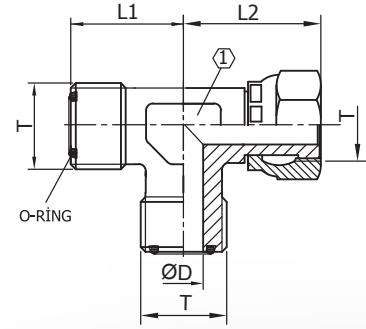
ORFS

TR 577

ORFS

ORFS Yan Bacak T

Barrel Tee Adapter with Swivel Nut



Kod No Part Number	Diş Ölçüsü Thread	Boyut Ölçüleri (mm) Dimensions in (mm)				
ID No	T	L1	L2	Ø D	①	PN Bar
TR577-6	9/16"-18	22	26	4	14	420
TR577-10	11/16"-16	25	29	6.5	17	420
TR577-12	13/16"-16	28	38	9.5	19	420
TR577-16	1"-14	33	41	12	27	420
TR577-20	1"3/16 -12	37	46	15	27	420
TR577-25	1"7/16-12	42	53	20	36	420
TR577-32	1"11/16-12	45	58	26	41	420

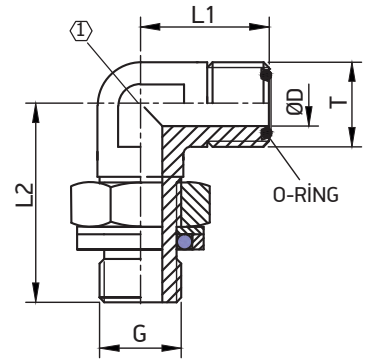
ORFS

TR 578

BSP/ORFS

BSP/ORFS Kontralı Dirsek

Straight Adapter with Swivel Nut BSP/ORFS

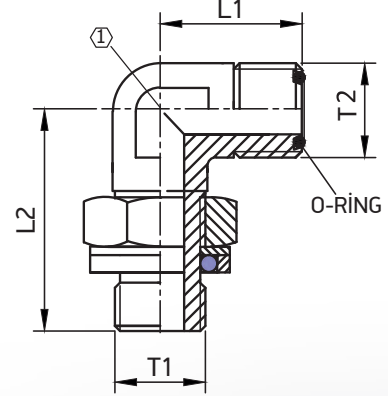


Kod No Part Number	Diş Ölçüsü Thread		Boyut Ölçüleri (mm) Dimensions in (mm)				
ID No	G	T	L1	L2	Ø D	①	PN Bar
TR578-4-6	1/4"-19	9/16"-18	24	26	4	17	350
TR578-4-10	1/4"-19	11/16"-16	25	36	6.5	19	350
TR578-4-12	1/4"-19	13/16"-16	28	36	9.5	19	350
TR578-6-6	3/8"-19	9/16"-18	25	38	4	19	350
TR578-6-10	3/8"-19	11/16"-16	27	38	6.5	19	350
TR578-6-12	3/8"-19	13/16"-16	28	38	9.5	19	350
TR578-8-10	1/2"-14	11/16"-16	29	49	6.5	24	350
TR578-8-12	1/2"-14	13/16"-16	31	49	9.5	24	350
TR578-12-16	3/4"-14	1"-14	36	52	12	30	315
TR578-12-20	3/4"-14	1"3/16-12	37	52	15	30	315
TR578-16-20	1"-11	1"3/16-12	41	58	15	36	315
TR578-16-25	1"-11	1"7/16-12	42	58	20	42	315
TR578-20-32	1"1/4-11	1"11/16-12	49	65	26	50	315
TR578-24-32	1"1/2-11	1"11/16-12	49	65	26	50	315

BSP/ORFS

UNF-ORFS Kontralı Dirsek

90° Revolving Adapter with
O-ring and Washer UNF/ORFS



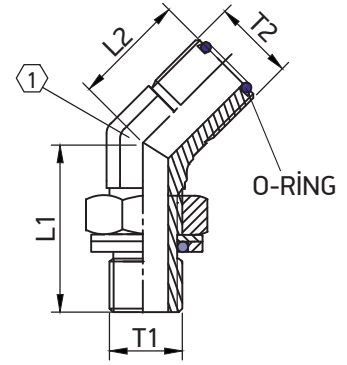
Kod No Part Number	Diş Ölçüsü Thread		Boyut Ölçüleri (mm) Dimensions in (mm)			
	T1	T2	L1	L2	①	PN Bar
TR578-1-6-6	9/16"-18	9/16"-18	37	24	17	420
TR578-1-6-10	9/16"-18	11/16"-16	37	25	17	420
TR578-1-6-12	9/16"-18	13/16"-16	37	28	19	420
TR578-1-8-10	3/4"-16	11/16"-16	41	27	24	420
TR578-1-8-12	3/4"-16	13/16"-16	41	28	24	420
TR578-1-8-16	3/4"-16	1"-14	46	33	24	420
TR578-1-10-10	7/8"-14	11/16"-16	50	29	24	420
TR578-1-10-12	7/8"-14	13/16"-16	50	31	24	420
TR578-1-10-16	7/8"-14	1"-14	50	33	27	420
TR578-1-12-12	1"1/16-12	1"-14	55	36	27	350
TR578-1-12-20	1"1/16-12	1"3/16-12	55	37	27	350
TR578-1-12-25	1"1/16-12	1"7/16-12	59	42	36	350
TR578-1-16-20	1"5/16-12	1"3/16-12	60	41	36	350
TR578-1-16-25	1"5/16-12	1"7/16-12	60	42	36	350

TR 578-2

BSP/ORFS

BSP/ORFS Kontralı Dirsek 45°

Straight Adapter with Swivel Nut 45° - BSP/ORFS

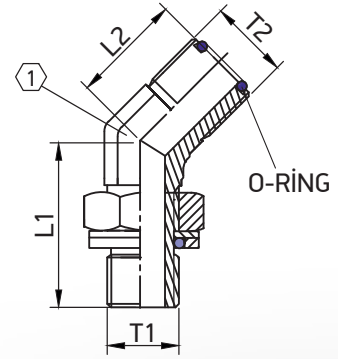


Kod No Part Number	Diş Ölçüsü Thread		Boyut Ölçüleri (mm) Dimensions in (mm)			
	T1	T2	L1	L2	①	PN Bar
TR578-2-4-6	1/4"-19	9/16"-18	33	17	17	350
TR578-2-4-10	1/4"-19	11/16"-16	32	19	17	350
TR578-2-6-10	3/8"-19	11/16"-16	34	19	17	350
TR578-2-8-10	1/2"-14	11/16"-16	43	19	22	350
TR578-2-8-16	1/2"-14	1"-14	43	23	22	315
TR578-2-12-16	3/4"-14	1"-14	46	24	27	315
TR578-2-12-20	3/4"-14	1"3/16-12	46	26	30	315
TR578-2-16-20	1"-11	1"3/16-12	51	30	36	315

BSP/ORFS

UNF-ORFS Kontralı Dirsek 45°

Straight Adapter with Swivel Nut 45° UNF/ORFS



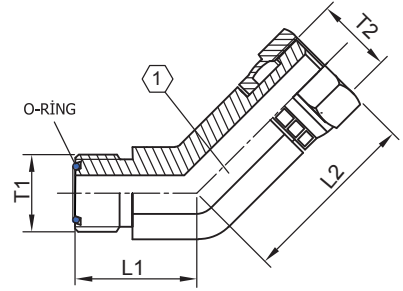
Kod No Part Number	Diş Ölçüsü Thread		Boyut Ölçüleri (mm) Dimensions in (mm)			
	T1	T2	L1	L2	①	PN Bar
TR578-3-6-6	9/16"-18	9/16"-18	33	17	17	630
TR578-3-6-10	9/16"-18	11/16"-16	33	19	17	630
TR578-3-6-12	9/16"-18	13/16"-16	32	20	19	630
TR578-3-8-10	3/4"-16	11/16"-16	36	19	19	630
TR578-3-8-12	3/4"-16	13/16"-16	36	20	19	630
TR578-3-8-16	3/4"-16	1"-14	40	23	22	420
TR578-3-10-12	7/8"-14	13/16"-16	45	21	27	420
TR578-3-10-16	7/8"-14	1"-14	45	23	27	420

TR 579

UNF/ORFS

ORFS Ters Dirsek 45°

Adapter with Swivel Nut ORFS 45°



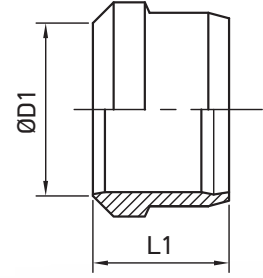
Kod No Part Number	Diş Ölçüsü Thread		Boyut Ölçüleri (mm) Dimensions in (mm)			
ID No	T1	T2	L1	L2	⊙	PN Bar
TR579-6	9/16"-18	9/16"-18	16	25	17	420
TR579-10	11/16"-16	11/16"-16	19	28	17	420
TR579-12	13/16"-16	13/16"-16	20	38	22	420
TR579-16	1"-14	1"-14	23	39	27	420
TR579-20	1"3/16-12	1"3/16-12	26	44	32	420
TR579-25	1"7/16-12	1"7/16-12	30	48	41	420
TR579-32	1"11/16-12	1"11/16-12	32	50	41	420

UNF/ORFS

TR 580-L/S

TİP L/S

Yüksük Ring



TİP L/S

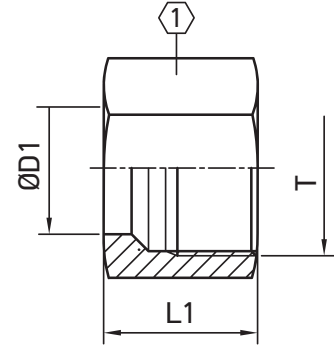
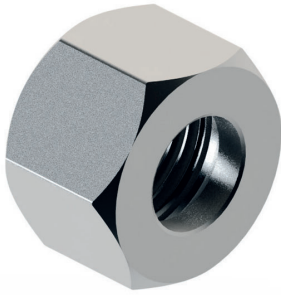
	Kod No Part Number	Boyut Ölçüleri (mm) Dimensions in (mm)		
	ID No	Ø D1	L1	PN Bar
L	TR580-L-6	6L	9.5	315
	TR580-L-8	8L	9.5	315
	TR580-L-10	10L	10	315
	TR580-L-12	12L	10	315
	TR580-L-15	15L	10	315
	TR580-L-18	18L	10	315
	TR580-L-22	22L	10.5	315
	TR580-L-28	28L	10.5	160
	TR580-L-35	35L	13.5	160
	TR580-L-42	42L	13.5	160
S	TR580-S-6	6S	9.5	630
	TR580-S-8	8S	9.5	630
	TR580-S-10	10S	10	630
	TR580-S-12	12S	10	630
	TR580-S-16	16S	10.5	630
	TR580-S-20	20S	12.5	630
	TR580-S-25	25S	12.5	400
	TR580-S-30	30S	13	400
	TR580-S-38	38S	13	400

TR 590-L/S

Metrik 24° TİP L/S

Metrik Somunlar

Nut DIN 24° (Heavy and Light Series)

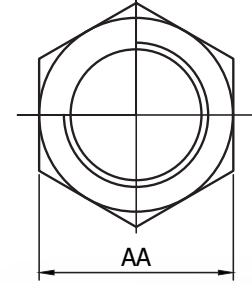
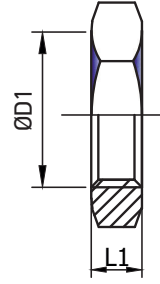
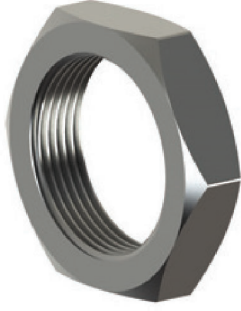


	Kod No Part Number	Diş Ölçüsü Thread	Boyut Ölçüleri (mm) Dimensions in (mm)			PN Bar
	ID No	T	Ø D1	L1	①	
L	TR590-6L	M12x1.5	6L	15	14	315
	TR590-8L	M14x1.5	8L	15	17	315
	TR590-10L	M16x1.5	10L	16	19	315
	TR590-12L	M18x1.5	12L	16	22	315
	TR590-15L	M22x1.5	15L	17	27	315
	TR590-18L	M26x1.5	18L	18.5	32	315
	TR590-22L	M30x2	22L	20	36	315
	TR590-28L	M36x2	28L	21	41	315
	TR590-35L	M45x2	35L	24	50	315
	TR590-42L	M52x2	42L	24	60	315
S	TR590-6S	M14x1.5	6S	16.5	17	630
	TR590-8S	M16x1.5	8S	16.5	19	630
	TR590-10S	M18x1.5	10S	17.5	22	630
	TR590-12S	M20x1.5	12S	17.5	24	630
	TR590-16S	M24x1.5	16S	20.5	30	400
	TR590-20S	M30x2	20S	24	36	400
	TR590-25S	M36x2	25S	27	46	400
	TR590-30S	M42x2	30S	29	50	400
	TR590-38S	M52x2	38S	32.5	60	400

Metrik 24° TİP L/S

Kontra Somunlar

BSP - JIC - Metric Lock Nuts

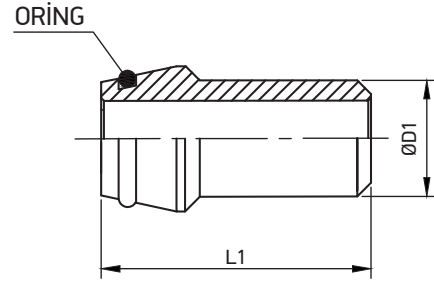


BSP SOMUNLAR			UNF SOMUNLAR			METRİK SOMUNLAR		
Diş Ölçüsü Thread	Boyut Ölçüleri (mm) Dimensions in (mm)		Diş Ölçüsü Thread	Boyut Ölçüleri (mm) Dimensions in (mm)		Diş Ölçüsü Thread	Boyut Ölçüleri (mm) Dimensions in (mm)	
T	L1	AA	T	L1	AA	T	L1	AA
1/8"-28	6	17	7/16"-20	6.5	17	M12x1.5	6	17
1/4"-19	6.5	19	1/2"-20	7	17	M14x1.5	6	19
3/8"-19	7	24	9/16"-18	6.5	22	M16x1.5	6	22
1/2"-14	7	27	5/8"-18	7	24	M18x1.5	6	24
3/4"-14	9	32	3/4"-16	8	27	M20x1.5	6	27
1"-11	10	41	7/8"-14	9	27	M22x1.5	7	27
1 1/4"-11	10	50	1 1/16"-12	9	32	M24x1.5	7	32
1 1/2"-11	10	55	1 5/16"-12	10	41	M26x1.5	8	36
2"-11	10	70	1 5/8"-12	10	50	M30x2	8	41
			1 7/8"-12	10.5	55	M36x2	9	46
						M42x2	9	50
						M45x2	9	55
						M52x2	10	65

TR 595-L/S

Metrik 24° TİP L/S

O-Ring'li Kuyruklu Yüksük with O-Ring



	Kod No Part Number	Diş Ölçüsü Thread	Boyut Ölçüleri (mm) Dimensions in (mm)			
	ID No	DN	Ø D1	L	O-RİNG	PN Bar
L	TR595-L6	6L	6	31	4x1.5	315
	TR595-L8	8L	8	31	6x1.5	315
	TR595-L10	10L	10	32.5	7.5x1.5	315
	TR595-L12	12L	12	32.5	9x2	315
	TR595-L15	15L	15	34	12x2	315
	TR595-L18	18L	18	35.5	15x2	315
	TR595-L22	22L	22	38.5	18x2	315
	TR595-L28	28L	28	41.5	25x2	315
	TR595-L35	35L	35	47.5	30x2.5	315
	TR595-L42	42L	42	47.5	38x2.5	315
S	TR595-S8	8S	8	31	6x1.5	630
	TR595-S10	10S	10	32	7.5x1.5	630
	TR595-S12	12S	12	32	9x1.5	630
	TR595-S16	16S	16	39	12x2	400
	TR595-S20	20S	20	45	16x2.5	400
	TR595-S25	25S	25	49.5	20x2.5	400
	TR595-S30	30S	30	52	25x2.5	315
	TR595-S38	38S	38	56.5	33x2.5	315

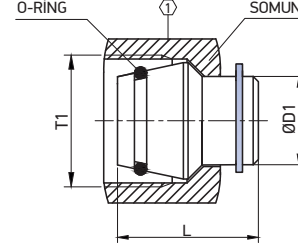
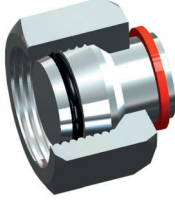
Metrik 24° TİP L/S

TR 596-L/S

Metrik 24° TİP L/S

O-Ring'li Kapak Körtapa

Blanking Plug to Fit Cones



Kod No Part Number	Diş Ölçüsü Thread		Boyut Ölçüleri (mm) Dimensions in (mm)					
	ID No	DN	T1	Ø D1	L	O-RİNG	①	PN Bar
L	TR596-L6	6L	M12X1.5	6	18.5	4x1.5	14	315
	TR596-L8	8L	M14X1.5	8	18.5	6x1.5	17	315
	TR596-L10	10L	M16X1.5	10	20	7.5x1.5	19	315
	TR596-L12	12L	M18X1.5	12	20.5	9x1.5	22	315
	TR596-L15	15L	M22X1.5	15	20.5	12x2	27	315
	TR596-L18	18L	M26X1.5	18	22.5	15x2	32	315
	TR596-L22	22L	M30X2	22	25	18x2	36	160
	TR596-L28	28L	M36X2	28	26	25x2	41	160
	TR596-L35	35L	M45X2	35	30.5	30x2.5	50	160
	TR596-L42	42L	M52X2	42	30	38x2.5	60	160
S	TR596-S8	8S	M16X1.5	8	21	6x1.5	19	630
	TR596-S10	10S	M18X1.5	10	22	7.5x1.5	22	630
	TR596-S12	12S	M20X1.5	12	22	9x1.5	24	630
	TR596-S16	16S	M24X1.5	16	23.5	12x2	30	400
	TR596-S20	20S	M30X2	20	28.5	16x2.5	36	400
	TR596-S25	25S	M36X2	25	29	20x2.5	46	400
	TR596-S30	30S	M42X2	30	30.5	25x2.5	50	400
	TR596-S38	38S	M52X2	38	33	33x2.5	60	315

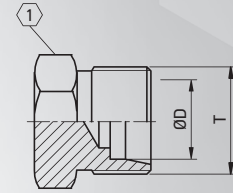
Tapalar | Adapter - Metric



TR 602

Metrik Havşalı

Erkek Tapa

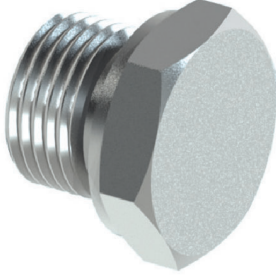


Kod No Part Number	Diş Ölçüsü Thread	Boyut Ölçüleri (mm) Dimensions in (mm)		Kod No Part Number	Diş Ölçüsü Thread	Boyut Ölçüleri (mm) Dimensions in (mm)	
ID No	T	Ø D1	①	ID No	T	Ø D1	①
TR602-6L	M12x1,5	6	12	TR602-6S	M14x1,5	6	17
TR602-8L	M14x1,5	8	14	TR602-8S	M16x1,5	8	19
TR602-10L	M16x1,5	10	17	TR602-10S	M18x1,5	10	19
TR602-12L	M18x1,5	12	19	TR602-12S	M20x1,5	12	22
TR602-15L	M22x1,5	15	24	TR602-16S	M24x1,5	16	27
TR602-18L	M26x1,5	18	27	TR602-20S	M30x2	20	32
TR602-22L	M30x2	22	32	TR602-25S	M36x2	25	36
TR602-28L	M36x2	28	36	TR602-30S	M42x2	30	46
TR602-35L	M45x2	35	46	TR602-38S	M52x2	38	55
TR602-42L	M52x2	42	55				

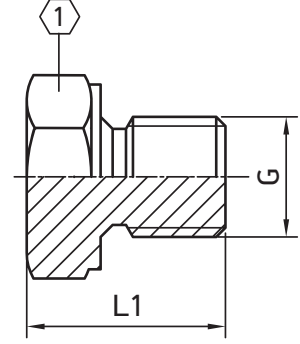
TR 600

BSP

Erkek Tapa
Closure Plug



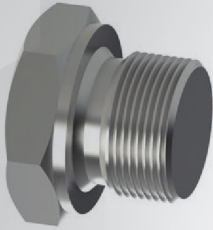
Tapalar
Adapter BSP



Kod No Part Number	Diş Ölçüsü Thread	Boyut Ölçüleri (mm) Dimensions in (mm)	
ID No	G	L1	①
TR600-2	1/8"-28	14	14
TR600-4	1/4"-19	18.5	19
TR600-6	3/8"-19	20.5	22
TR600-8	1/2"-14	23	27
TR600-12	3/4"-14	26	32
TR600-16	G1"-11	29	41
TR600-20	1"1/4-11	32	50
TR600-24	1"1/2-11	36	55
TR600-32	2"-11	41	65

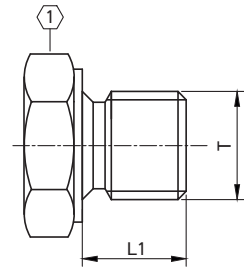
Tapalar

Adapter - Metric



TR 606

Metrik Anahtar Başlı
Erkek Tapa



Kod No Part Number	Diş Ölçüsü Thread	Boyut Ölçüleri (mm) Dimensions in (mm)	
ID No	T	L1	①
TR606-6	M12x1.5	12	19
TR606-8	M14x1.5	12	19
TR606-10	M16x1.5	12	22
TR606-12	M18x1.5	12	22
TR606-14	M20x1.5	14	27
TR606-16	M22x1.5	14	27
TR606-18	M24x1.5	16	32
TR606-20	M26x1.5	16	32
TR606-22	M30x2	18	41

BSP

TR 601

ORFS

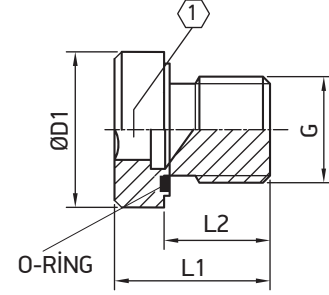
Allen Tapa

Hexagonal Head Plug



Tapalar

Adapter - BSP



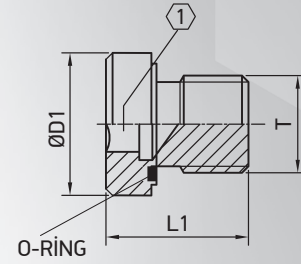
Kod No Part Number	Diş Ölçüsü Thread	Boyut Ölçüleri (mm) Dimensions in (mm)			
ID No	G	ØD1	L1	L2	①
TR601-2	1/8"-28	14	12	8	5
TR601-4	1/4"-19	19	17	12	6
TR601-6	3/8"-19	22	17	12	8
TR601-8	1/2"-14	27	19	14	10
TR601-12	3/4"-14	32	21	16	12
TR601-16	1"-11	39.9	22.5	16	17
TR601-20	1"1/4-11	49.9	22.5	16	22
TR601-24	1"1/2-11	55	22.5	16	24

BSP



TR 603

Metrik Alyan Başlı
Erkek Tapa



Kod No Part Number	Diş Ölçüsü Thread	Boyut Ölçüleri (mm) Dimensions in (mm)		
ID No	T	ØD1	L1	①
TR603-8	M14x1.5	19	17	6
TR603-10	M16x1.5	22	17	8
TR603-12	M18x1.5	24	17	8
TR603-14	M20x1.5	26	19	10
TR603-15	M22x1.5	27	19	10

TR 604-605

ORFS

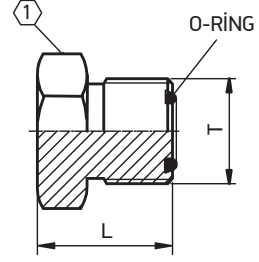
Tapalar

Adapter - ORFS

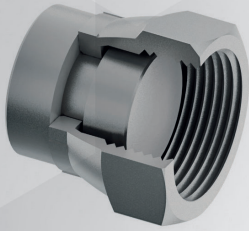


TR 604

ORFS Erkek Tapa

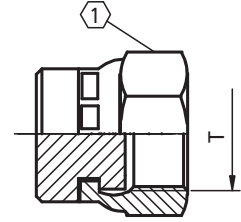


Kod No Part Number	Diş Ölçüsü Thread	Boyut Ölçüleri (mm) Dimensions in (mm)	
ID No	T	L	①
TR604-6	9/16"-18	17	17
TR604-10	11/16"-16	19	19
TR604-12	13/16"-16	22	22
TR604-16	1"-14	26	27
TR604-20	1"3/16-12	27	32
TR604-25	1"7/16-12	28	41
TR604-32	1"11/16-12	29	46
TR604-40	2"-12	34	55



TR 605

ORFS Somunlu Tapa

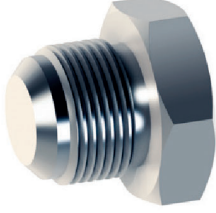


Kod No Part Number	Diş Ölçüsü Thread	Boyut Ölçüleri (mm) Dimensions in (mm)	
ID No	T	①	
TR605-6	9/16"-18	19	
TR605-10	11/16"-16	22	
TR605-12	13/16"-16	27	
TR605-16	1"-14	30	
TR605-20	1"3/16-12	36	
TR605-25	1"7/16-12	46	
TR605-32	1"11/16-12	50	
TR604-40	2"-12	60	

ORFS

TR 607-608

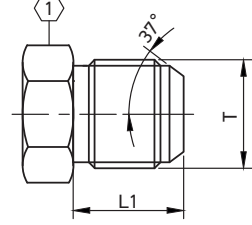
UNF



TR 607

UNF

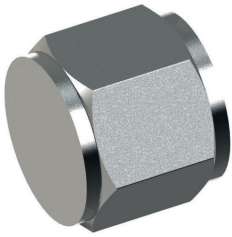
Erkek Tapa



Kod No Part Number	Diş Ölçüsü Thread	Boyut Ölçüleri (mm) Dimensions in (mm)	
ID No	T	L1	①
TR607-4S	7/16"-20	14	14
TR607-5S	1/2"-20	20	14
TR607-6S	9/16"-18	15	17
TR607-7S	5/8"-18	15	17
TR607-8S	3/4"-16	16	19
TR607-10S	7/8"-14	19	24
TR607-12S	1"1/16-12	22	27
TR607-16S	1"5/16-12	23	36
TR607-20S	1"5/8-12	24	46
TR607-24S	1"7/8-12	27	50
TR607-32S	2"1/2-12	34	65

Tapa Somun

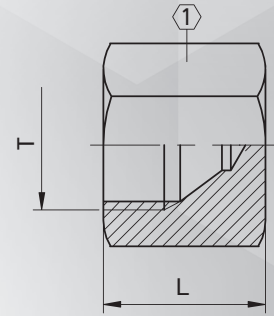
Plug Nuts 37°



TR 608 (246)

UNF

Tapa Somun



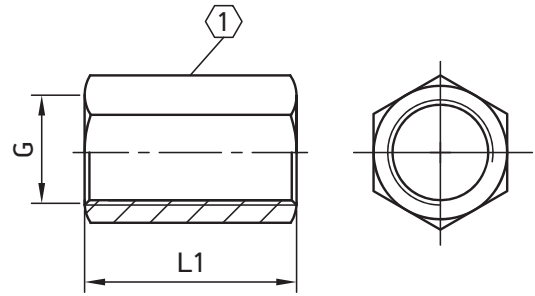
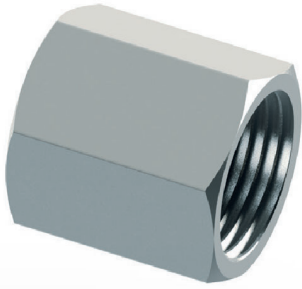
Kod No Part Number	T-Diş Ölçüsü Thread	Boyut Ölçüleri (mm) Dimensions in (mm)	
ID No	T	L	①
TR608-4S	7/16"-20	17	17
TR608-5S	1/2"-20	17.5	17
TR608-6S	9/16"-18	18.5	19
TR608-7S	5/8"-18	19	22
TR608-8S	3/4"-16	21	24
TR608-10S	7/8"-14	24	27
TR608-12S	1"1/16-12	27	32
TR608-16S	1"5/16-12	29	41

TR 610

BSP

Manşon

BSP Female Sleeve



Kod No Part Number	Diş Ölçüsü Thread	Boyut Ölçüleri (mm) Dimensions in (mm)		
ID No	G	L1	①	PN Bar
TR610-2	G1/8"-28	19	14	420
TR610-4	G1/4"-19	26	19	420
TR610-6	G3/8"-19	26	22	420
TR610-8	G1/2"-14	30	27	350
TR610-12	G3/4"-14	34	32	315
TR610-16	G1"-11	40	41	315
TR610-20	G1"1/4-11	48	50	315
TR610-24	G1"1/2-11	48	55	315
TR610-32	G2"-11	56	70	315

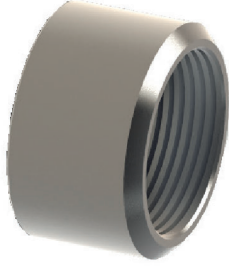
BSP

TR 611-612

BSP/Metrik

Kaynaklık Manşon

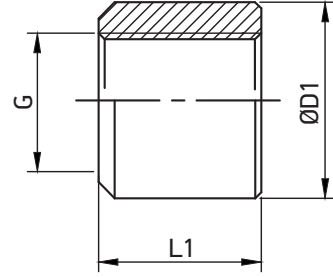
BSP Weld Sleeve



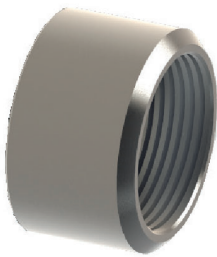
TR 611

Kaynaklık Manşon

BSP



Kod No Part Number	Diş Ölçüsü Thread	Boyut Ölçüleri (mm) Dimensions in (mm)		
ID No	G	Ø D1	L1	PN Bar
TR611-2	G1/8"-28	19	16	420
TR611-4	G1/4"-19	22	16	420
TR611-6	G3/8"-19	26	17	350
TR611-8	G1/2"-14	30	18	350
TR611-12	G3/4"-14	36	22	315
TR611-16	G1"-11	46	25	315
TR611-20	G1 1/4"-11	55	26	315
TR611-24	G1 1/2"-11	60	31	315
TR611-32	G2"	70	32	315

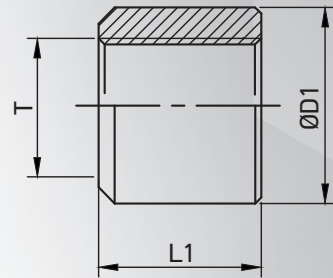


TR 612

Kaynaklık Manşon

Metrik

Metrik Weld Sleeve



Kod No Part Number	Diş Ölçüsü Thread	Boyut Ölçüleri (mm) Dimensions in (mm)		
ID No	T	Ø D1	L1	PN Bar
TR612-2	M10x1	17	13	420
TR612-4	M12x1,5	20	14	420
TR612-6	M14x1,5	22	14	350
TR612-8	M16x1,5	26	17	350
TR612-12	M18x1,5	28	18	315
TR612-16	M20x1,5	28	18	315
TR612-20	M22x1,5	30	18	315
TR612-32	M24x1,5	36	20	315

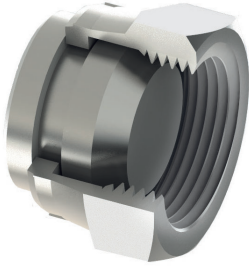
BSP/Metrik

TR 623-624

BSP 30°

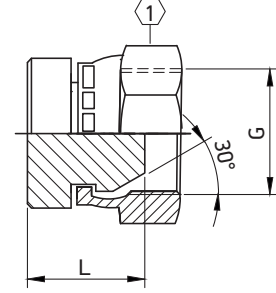
Dışa Havşa Somunlu Tapa

BSP Plug Female



TR 623

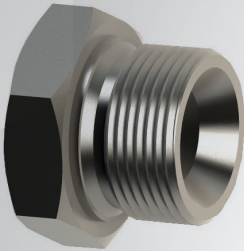
Dışa Havşa S. Tapa
BSP Plug Female



Kod No Part Number	Diş Ölçüsü Thread	Boyut Ölçüleri (mm) Dimensions in (mm)	
ID No	G	L1	①
TR623-2	G1/8"-28	15.5	14
TR623-4	G1/4"-19	16	19
TR623-6	G3/8"-19	17.5	22
TR623-8	G1/2"-14	21	27
TR623-12	G3/4"-14	22	32
TR623-16	G1"-11	23	41
TR623-20	G1 1/4"-11	29	50
TR623-24	G1 1/2"-11	30	55
TR623-32	G2"-11	28.5	70

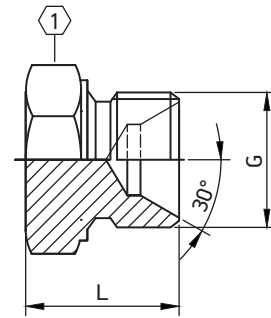
İçer Havşa Erkek Tapa

BSP Plug Male



TR 624

İçer Havşa E. Tapa
BSP Plug Male

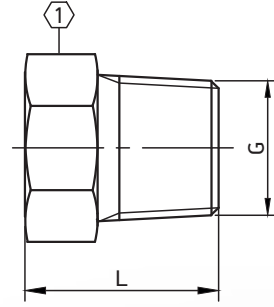
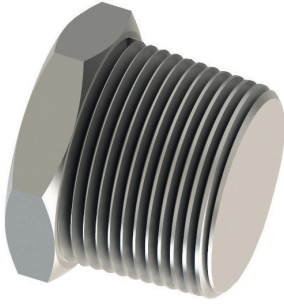


Kod No Part Number	Diş Ölçüsü Thread	Boyut Ölçüleri (mm) Dimensions in (mm)	
ID No	G	L1	①
TR624-2	G1/8"-28	15	14
TR624-4	G1/4"-19	19	19
TR624-6	G3/8"-19	22	22
TR624-8	G1/2"-14	26	27
TR624-12	G3/4"-14	26	32
TR624-16	G1"-11	33	41
TR624-20	G1 1/4"-11	37	50
TR624-24	G1 1/2"-11	40	55
TR624-32	G2"-11	46	65

BSP 30°

NPT Kör Tapa

Plug - NPT



Kod No Part Number	Diş Ölçüsü Thread	Boyut Ölçüleri (mm) Dimensions in (mm)	
ID No	G	L1	①
TR626-2	G1/8"-28	14	11
TR626-4	G1/4"-19	19	14
TR626-6	G3/8"-19	20	17
TR626-8	G1/2"-14	27	27
TR626-12	G3/4"-14	27	27
TR626-16	G1"-11	32	36
TR626-20	G1"1/4-11	36	46
TR626-24	G1"1/2-11	38	50